

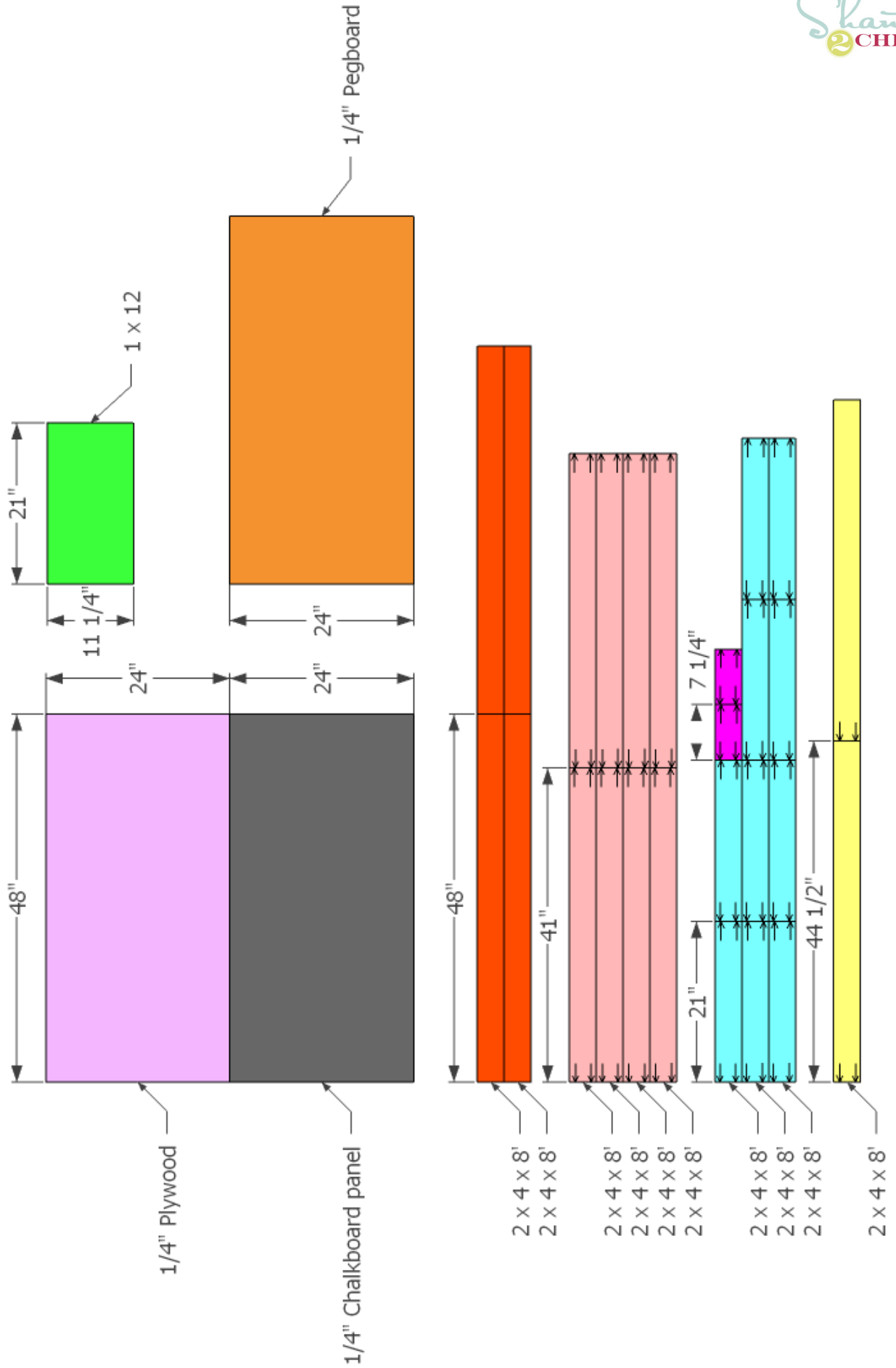
DIY Mobile Sports Cart

Copyright © 2014 Shanty-2-Chic.com

Supply List

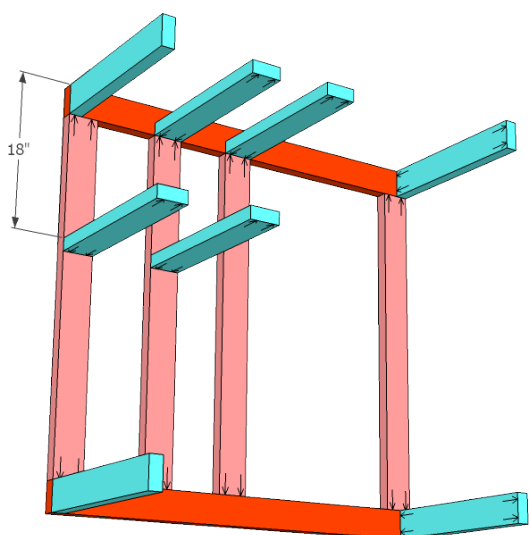
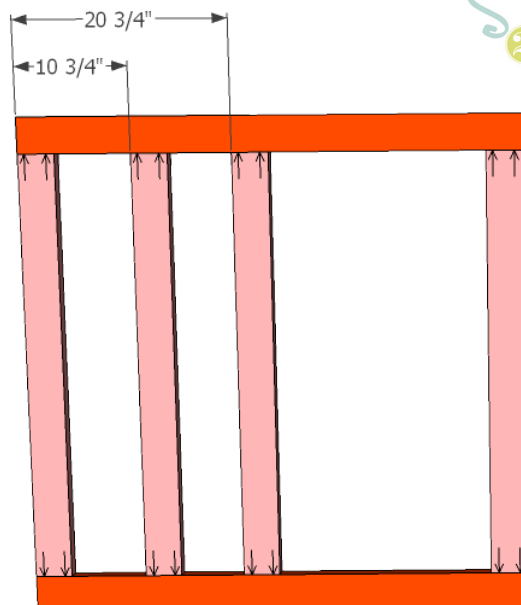
Item	Quantity	Description
24" x 48" x 1/4" plywood	1	For the bottom
24" x 48" x 1/4" chalkboard panel	1	For one side
24" x 48" x 1/4" pegboard	1	For one side
2 x 4 x 8'	10	Pine or whitewood board
2-1/2" pocket hole screws	84	
1 x 12 x 21"	1	Scrap piece of 1 x 12 or particle board shelving material
Brad nails	handful	For attaching the small shelf
Staples	handful	For attaching the side panels
Wood glue		
Eye hooks	16	
Bungee cords	8	These need to be less than 40" when not stretched
Swivel casters	4	

Drill pocket holes for 2-1/2" pocket hole screws as indicated by the arrows.



1

Make two frames with these measurements. Measure from the left side on one frame and from the right side on the second frame. Use glue at every joint in this project. Use 2-1/2" pocket hole screws on all of the 2 x 4 pieces in this project.

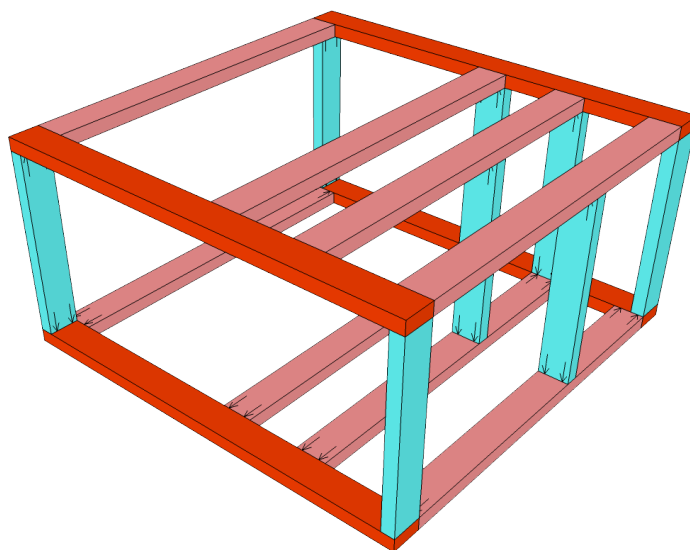


2

With one frame laying on the ground attach the 21" boards as shown.

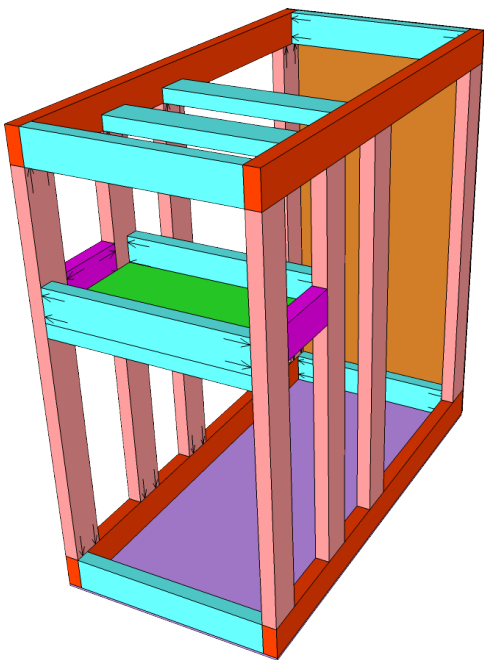
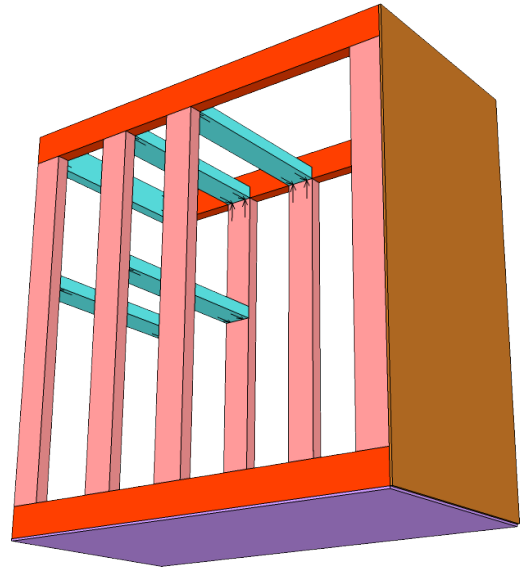
3

Add glue to the ends of all of the 21" boards and flip the assembly over on top of the second frame and secure everything.



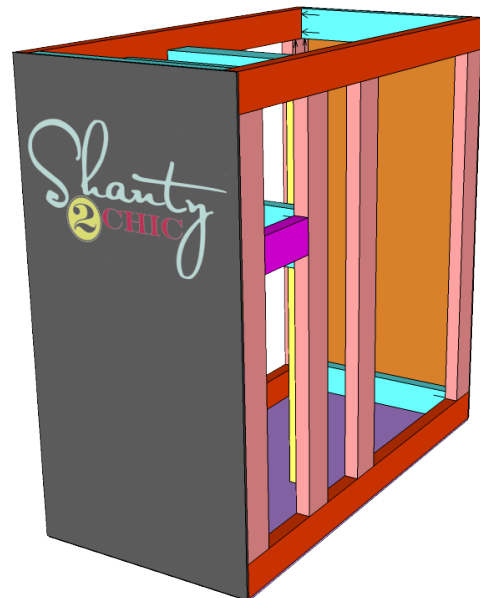
4

Staple the bottom plywood panel and the pegboard side panel on.



5

Next add the front and back 2 x 4 pieces around the shelf area followed by the left and right 2 x 4 pieces. The resulting space should fit a 21" piece of 1 x 12 for a shelf. Glue and nail the shelf in place.

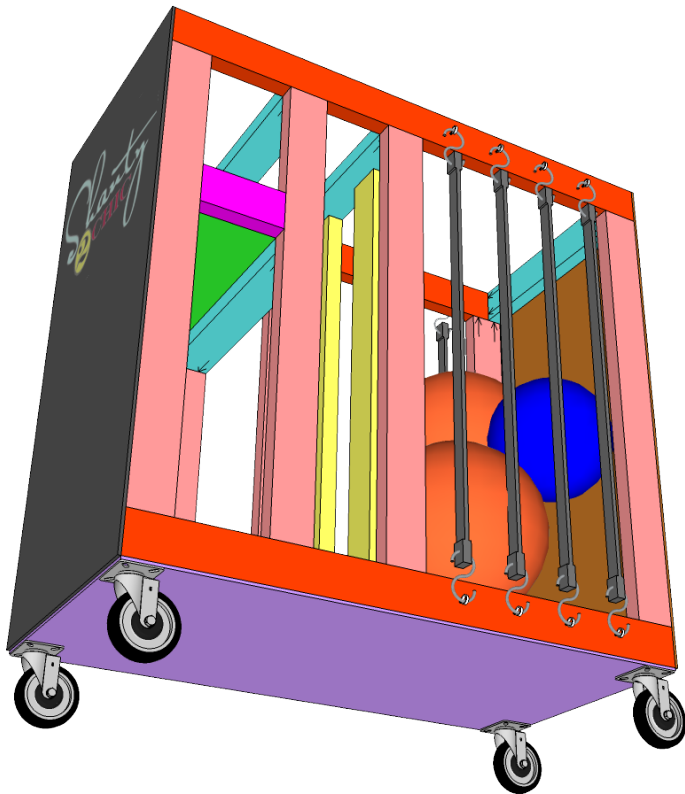
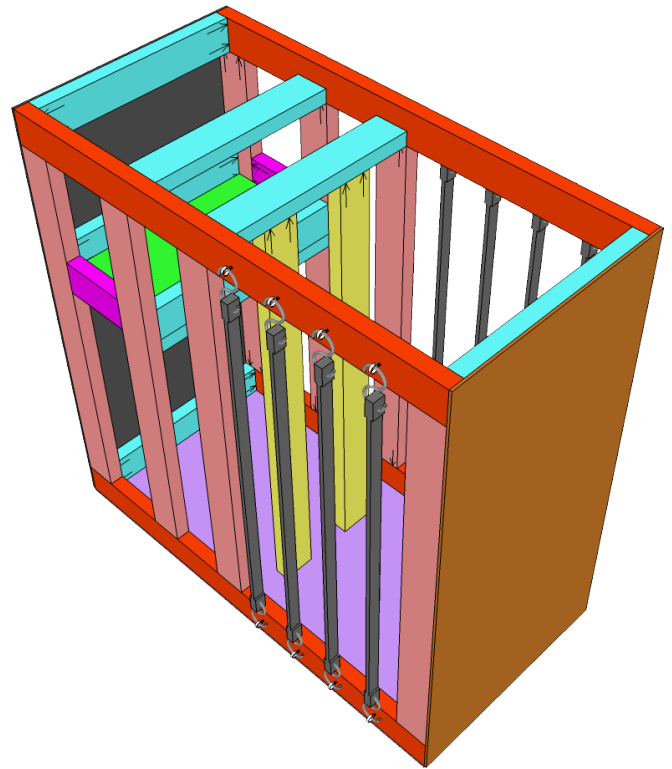


6

Staple a chalkboard panel to the opposite side as the pegboard.



Add the eye hooks to the top and bottom of the ball area. Connect them with bungee cords.



To make this awesome cart mobile install 4 swivel casters to the bottom. This easy project is sure to keep your sports gear organized and if you decide to make one be sure to stop by our website and let us know!