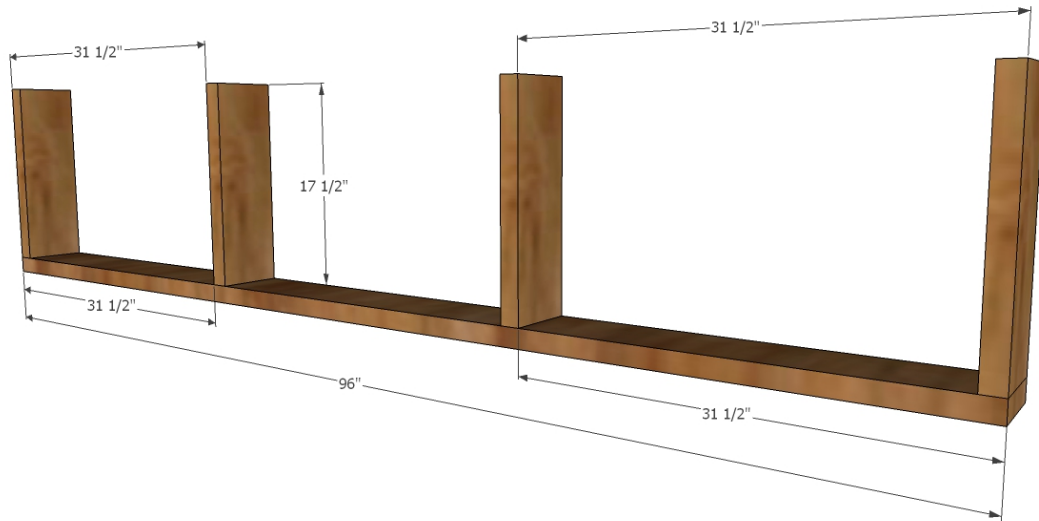
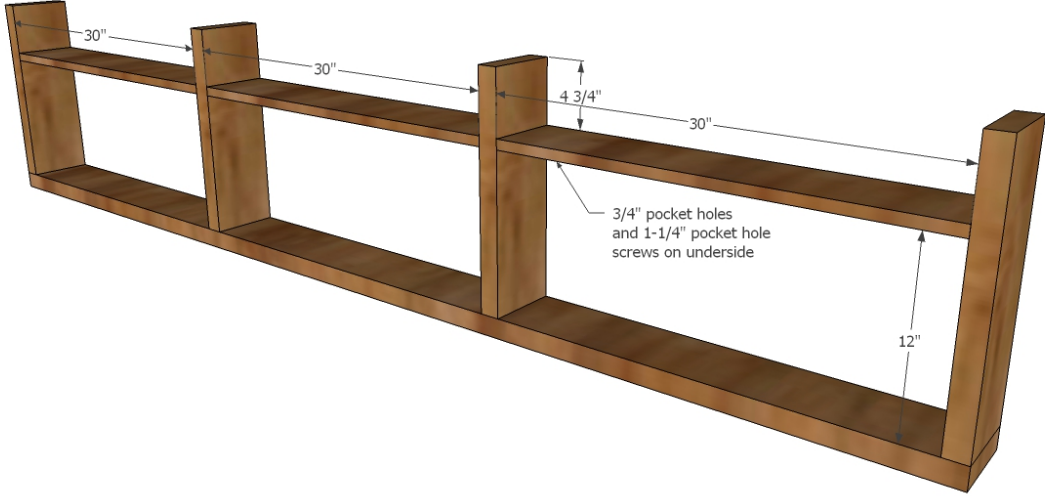


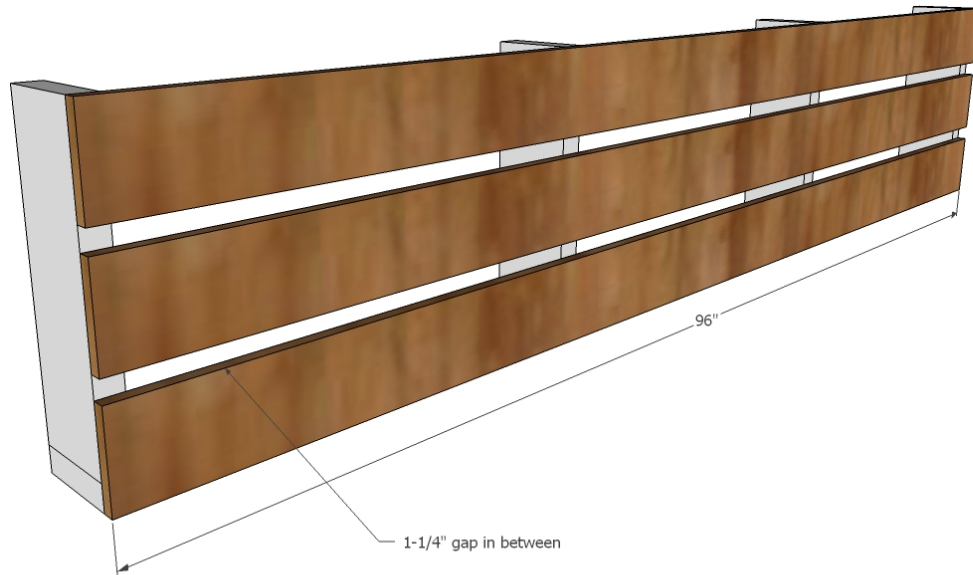
Shopping List	Cut List
4 – 1x6 @ 8 feet long 2 – 2x6 @ 8 feet long 1 - 1x4 @ 8 feet long 2-1/2" Self Tapping Wood Screws 2" Self Tapping Wood Screws 1-1/4" pocket hole screws (12) 9 - Hooks Wood glue	3 – 1x6 @ 8 feet long 1 – 1x4 @ 8 feet long 1 – 2x6 @ 8 feet long 4 – 2x6 @ 17-1/2" long 3 – 1x6 @ 30" long



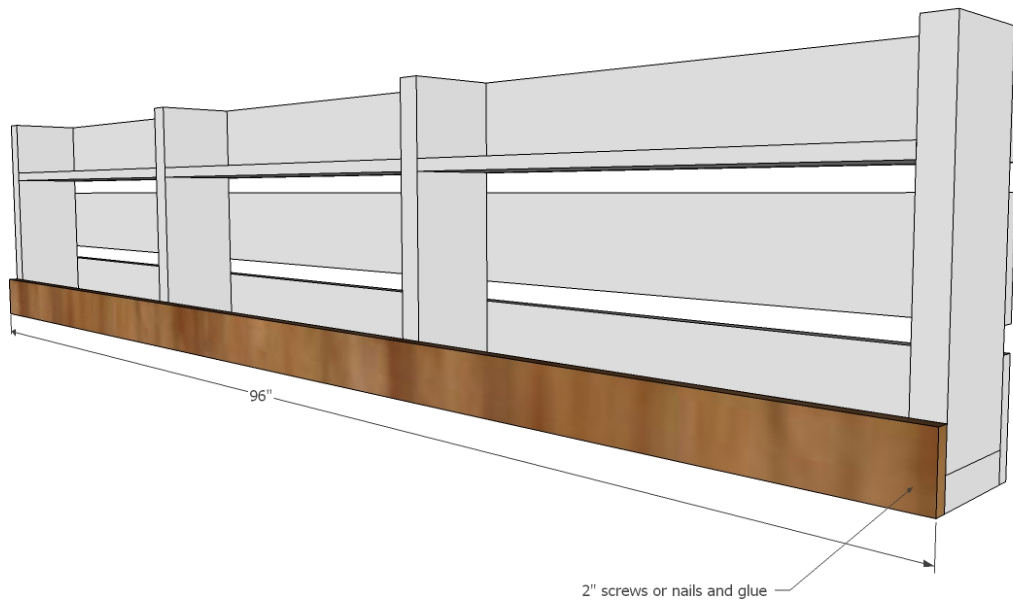
Step 1: Build the frame with the 2x6 boards. Start by attaching the outer 2x6s together, then add the center two dividers. Use 2-1/2" screws and glue.



Step 2: Attach shelves using 3/4" pocket holes and 1-1/4" pocket hole screws and glue.



Step 3: Complete the back by attaching 1x6 boards to back with 2" screws and glue. Screws are recommended because these boards will be used for hanging the rack. Attach top and bottom first, then center middle 1x6 and attach.



Step 4: Attach remaining front 1x4 to front with 2" screws and glue. Screws are recommended because the hooks will hold weight, pulling on this board.