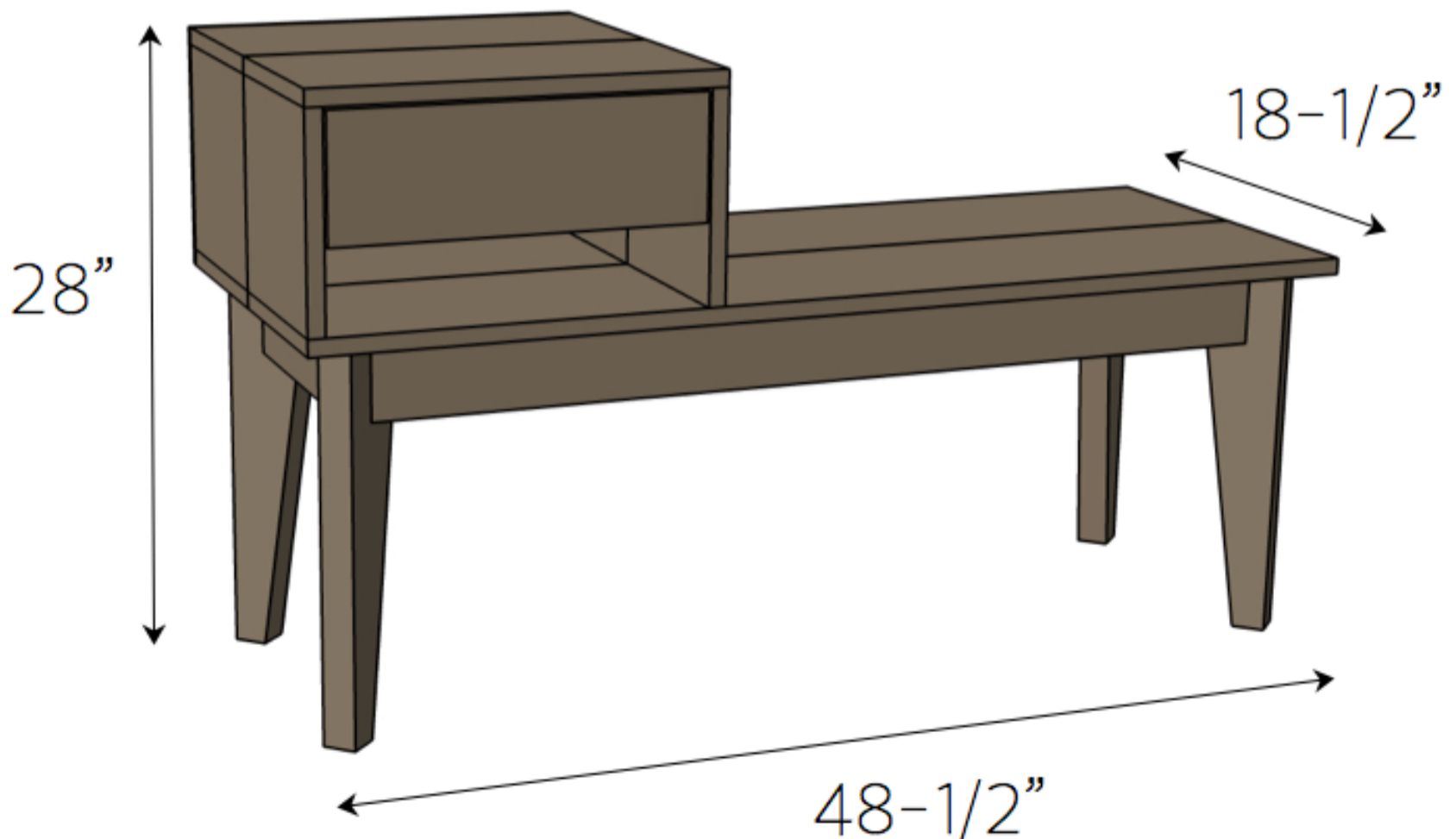


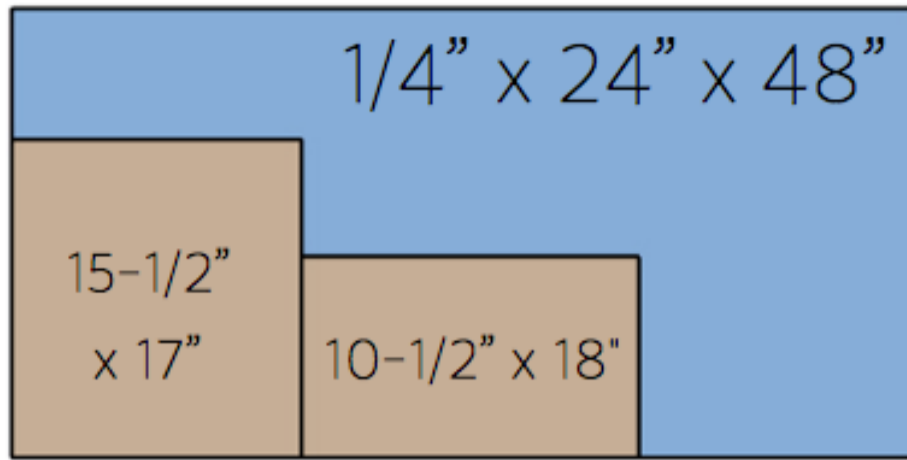
# Telephone Bench

DIY Plans By:

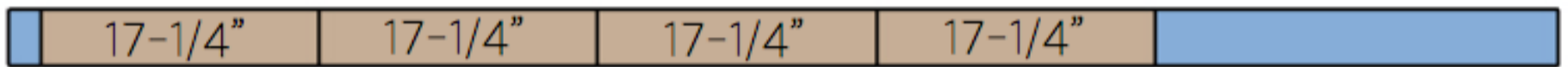


**ROGUE**  
**ENGINEER**.COM

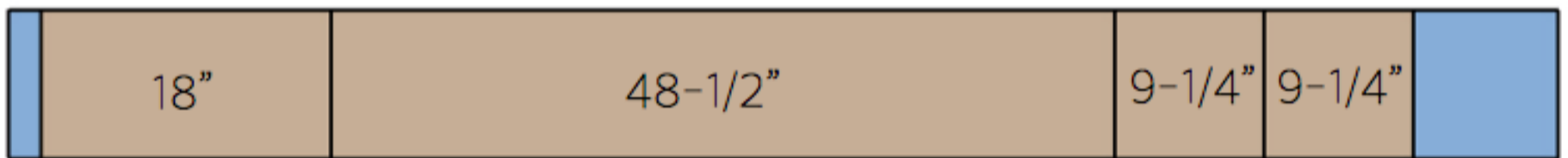
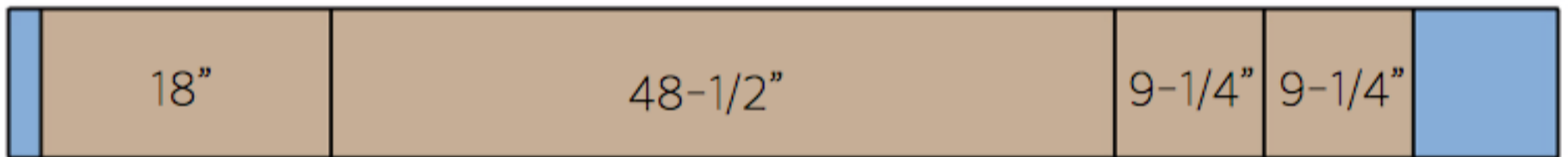




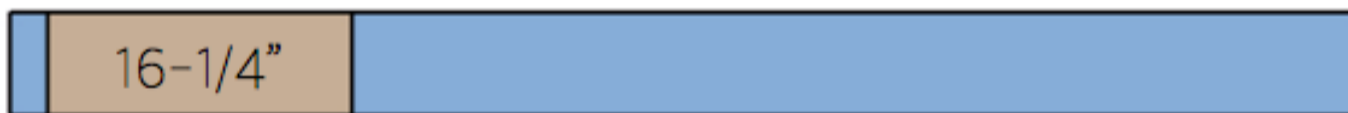
2 x 4 x 8'



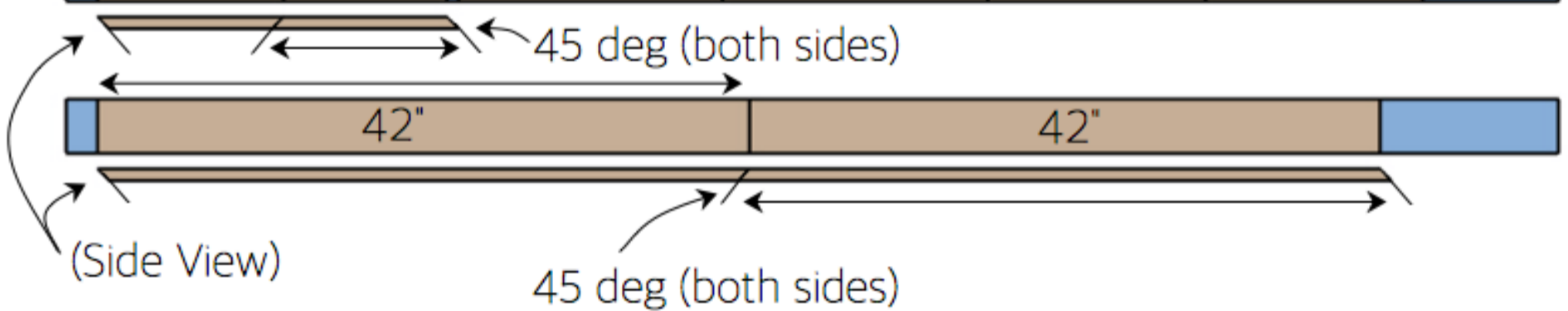
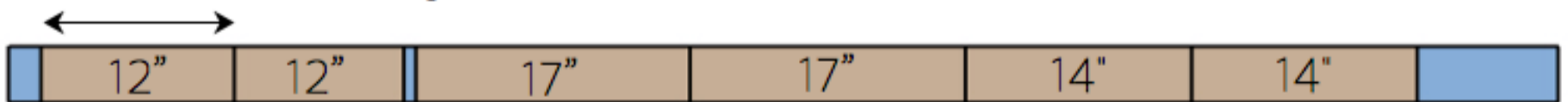
1 x 10 x 8' (Qty 2)



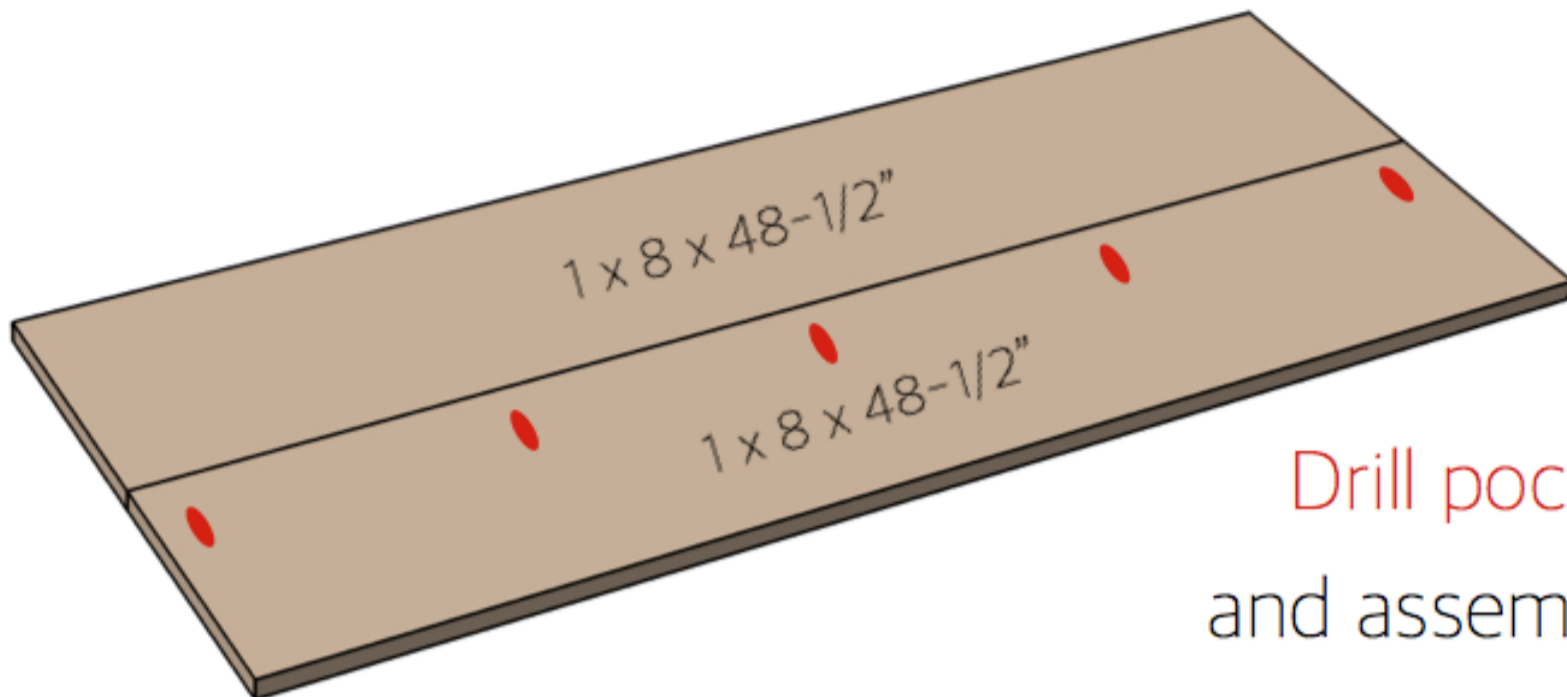
1 x 6 x 6'



1 x 4 x 8' (Qty 2)

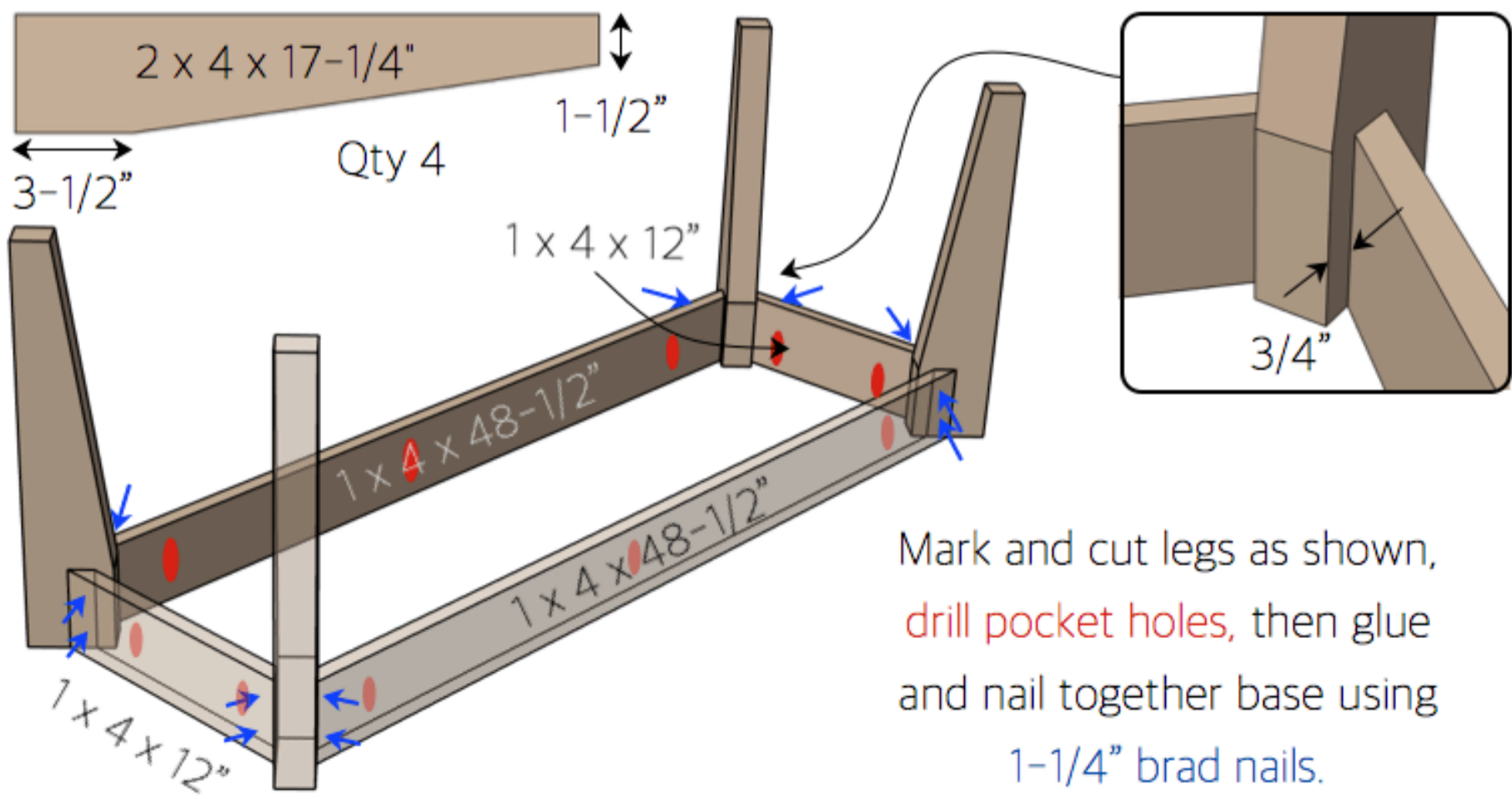


# Step 1: Assemble Top



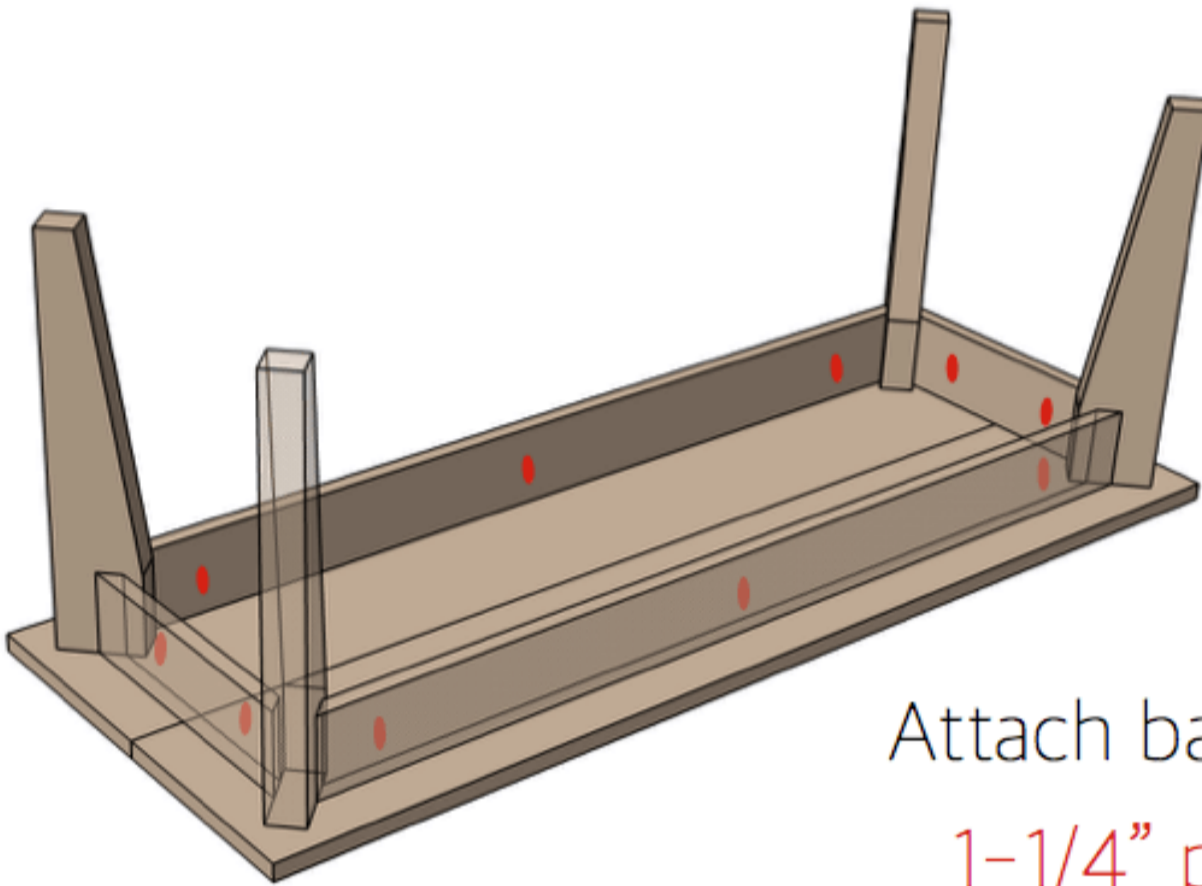
Drill pocket holes and assemble using 1-1/4" pocket screws.

# Step 2: Assemble Base



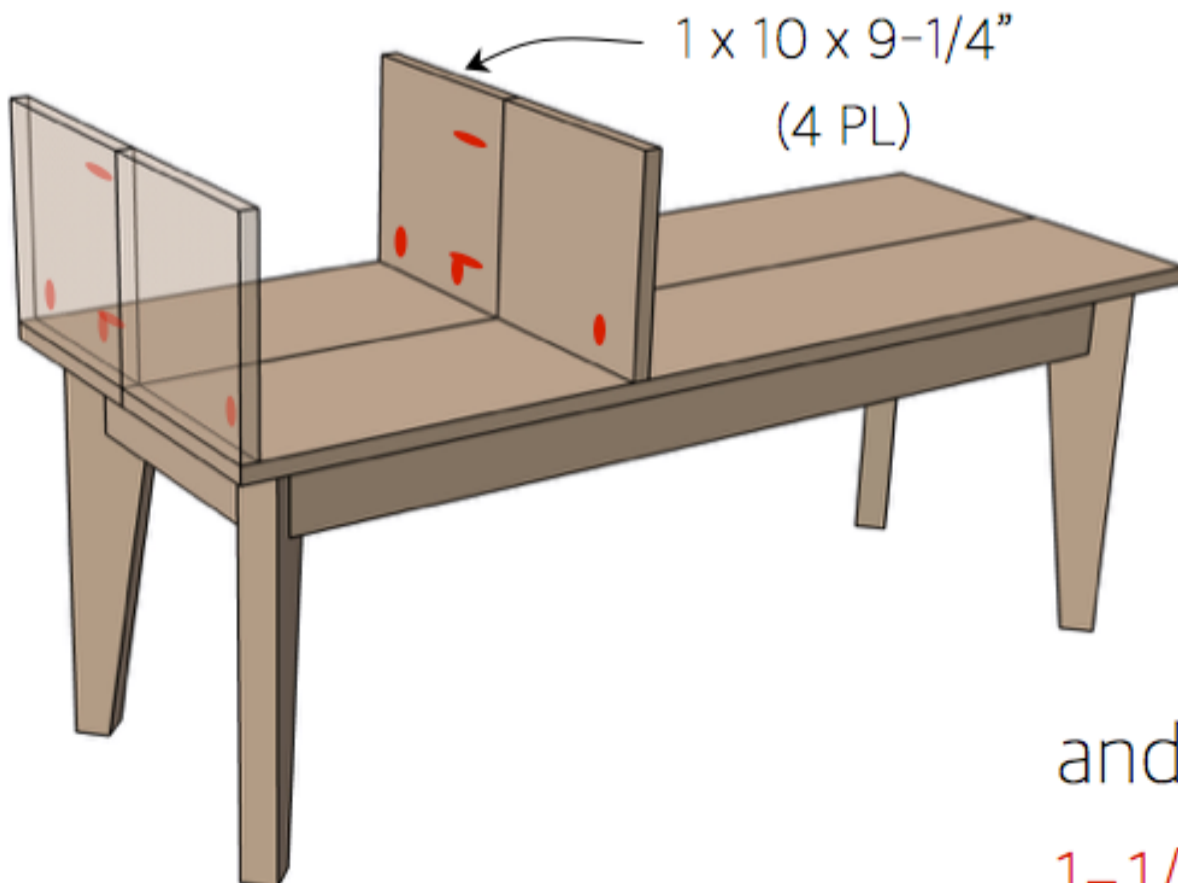
Mark and cut legs as shown, drill pocket holes, then glue and nail together base using 1-1/4" brad nails.

# Step 3: Assemble Bench



Attach base to top using  
1-1/4" pocket screws

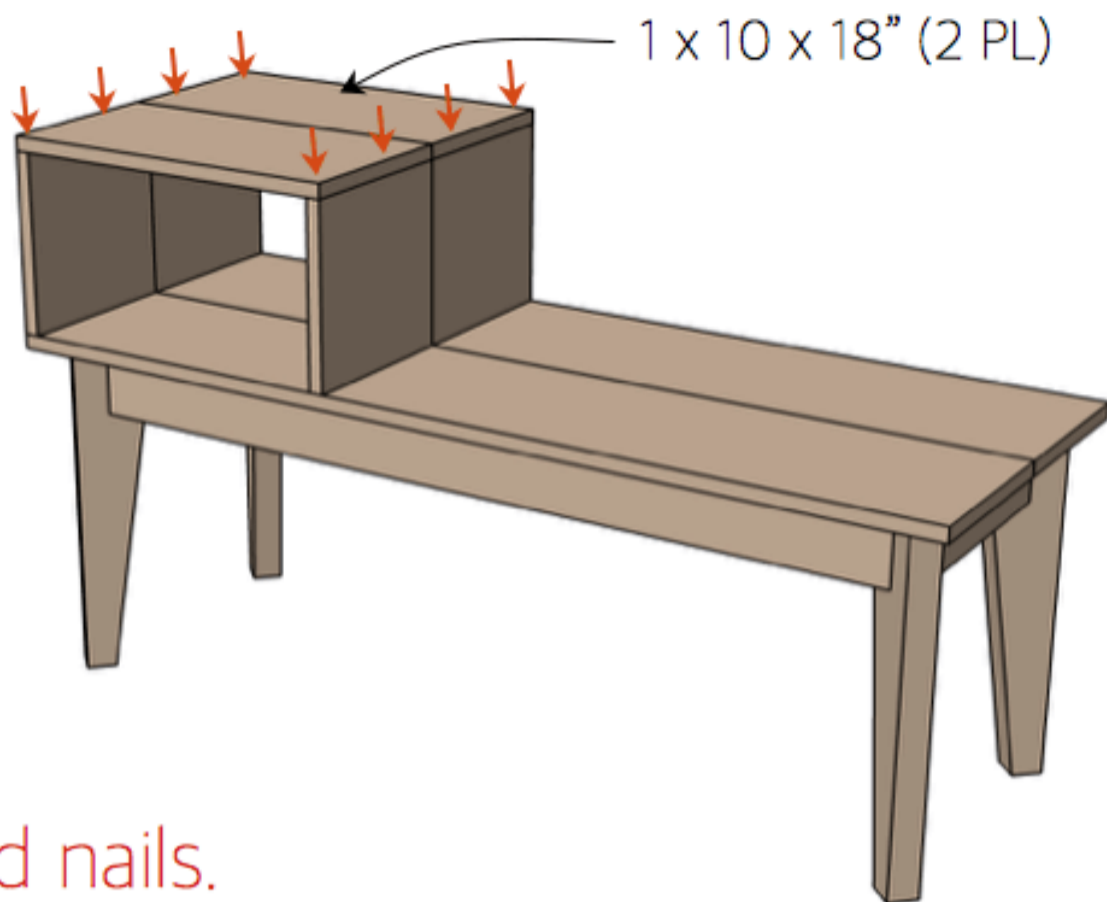
# Step 4: Install Sides



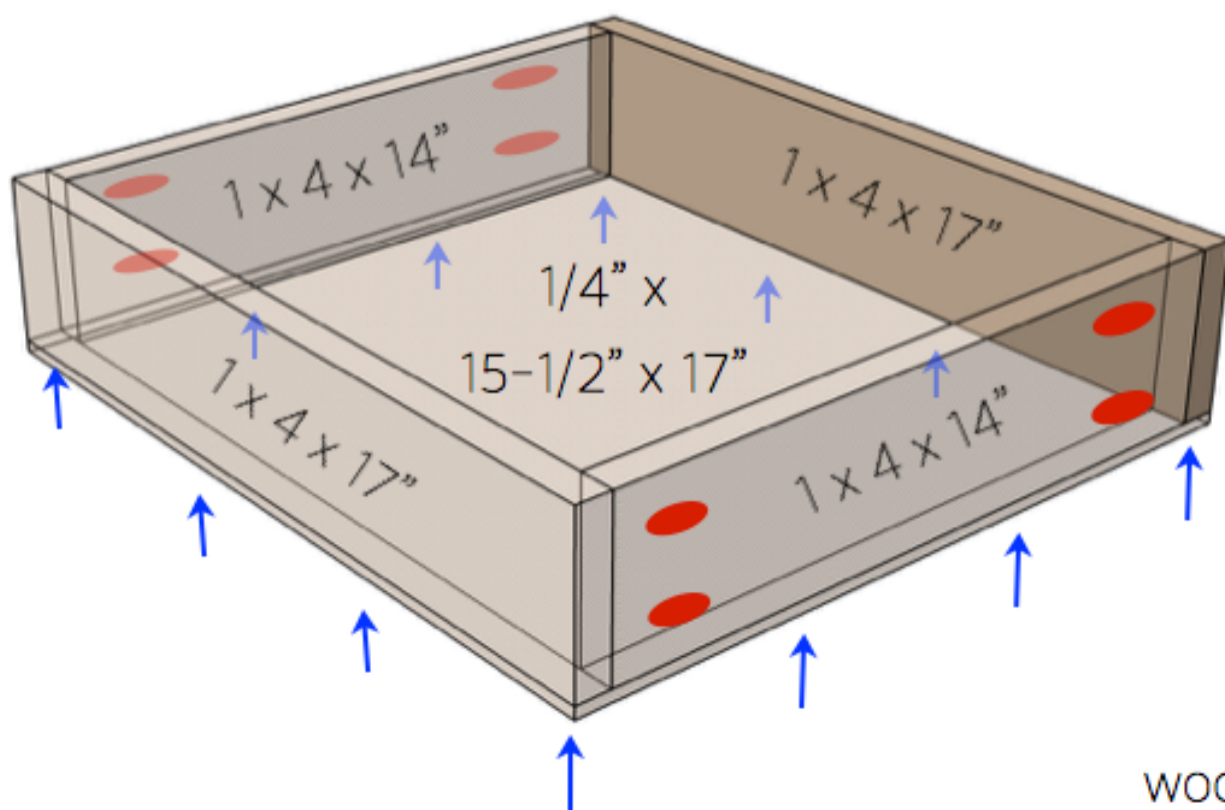
Drill pocket holes  
and install sides using  
1-1/4" pocket screws.

# Step 5: Install Top

Drill pocket holes and assemble top with 1-1/4" pocket screws (not shown). Then glue and nail in place with 1-1/4" brad nails.



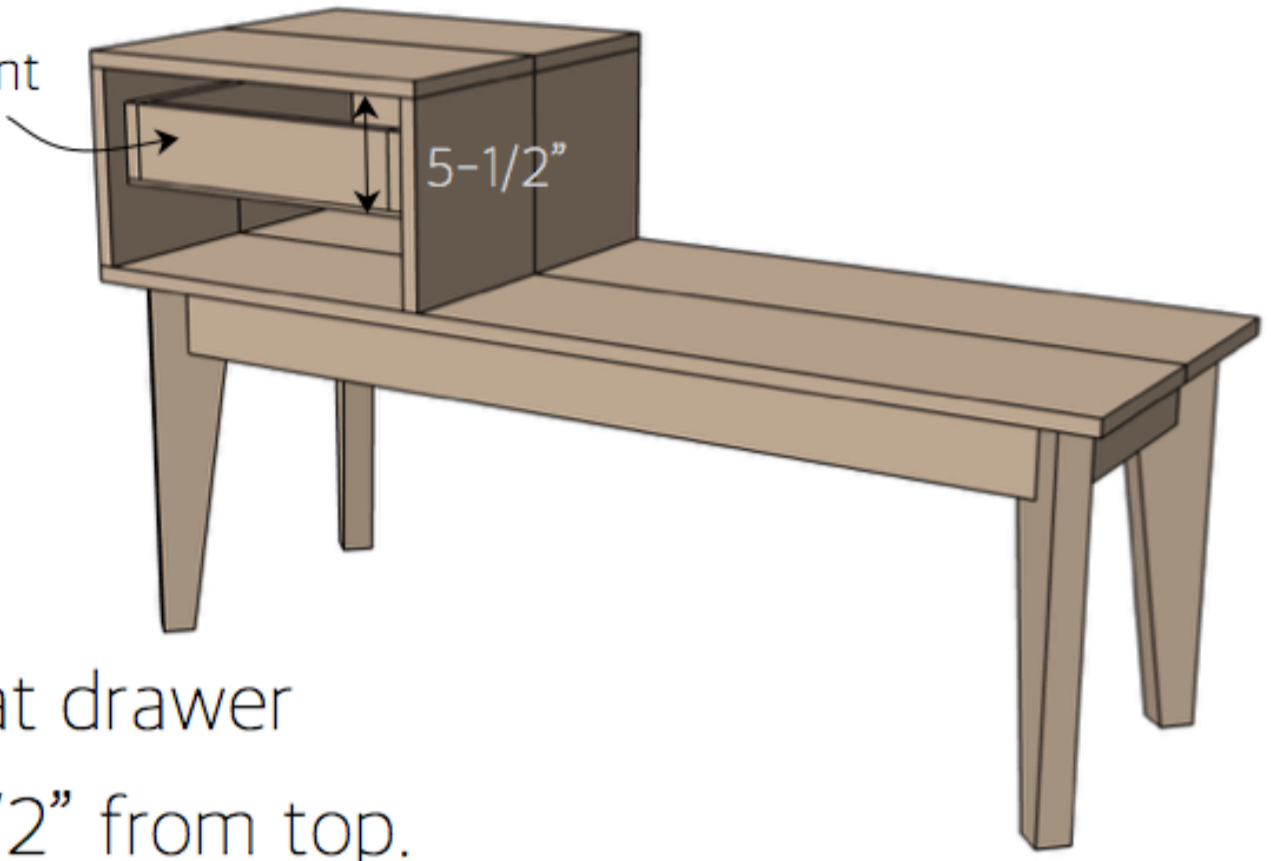
# Step 6: Assemble Drawer



Drill pocket holes and assemble drawer with 1-1/4" pocket screws. Then attach bottom with wood glue and 1-1/4" brad nails.

# Step 7: Install Drawer & Slides

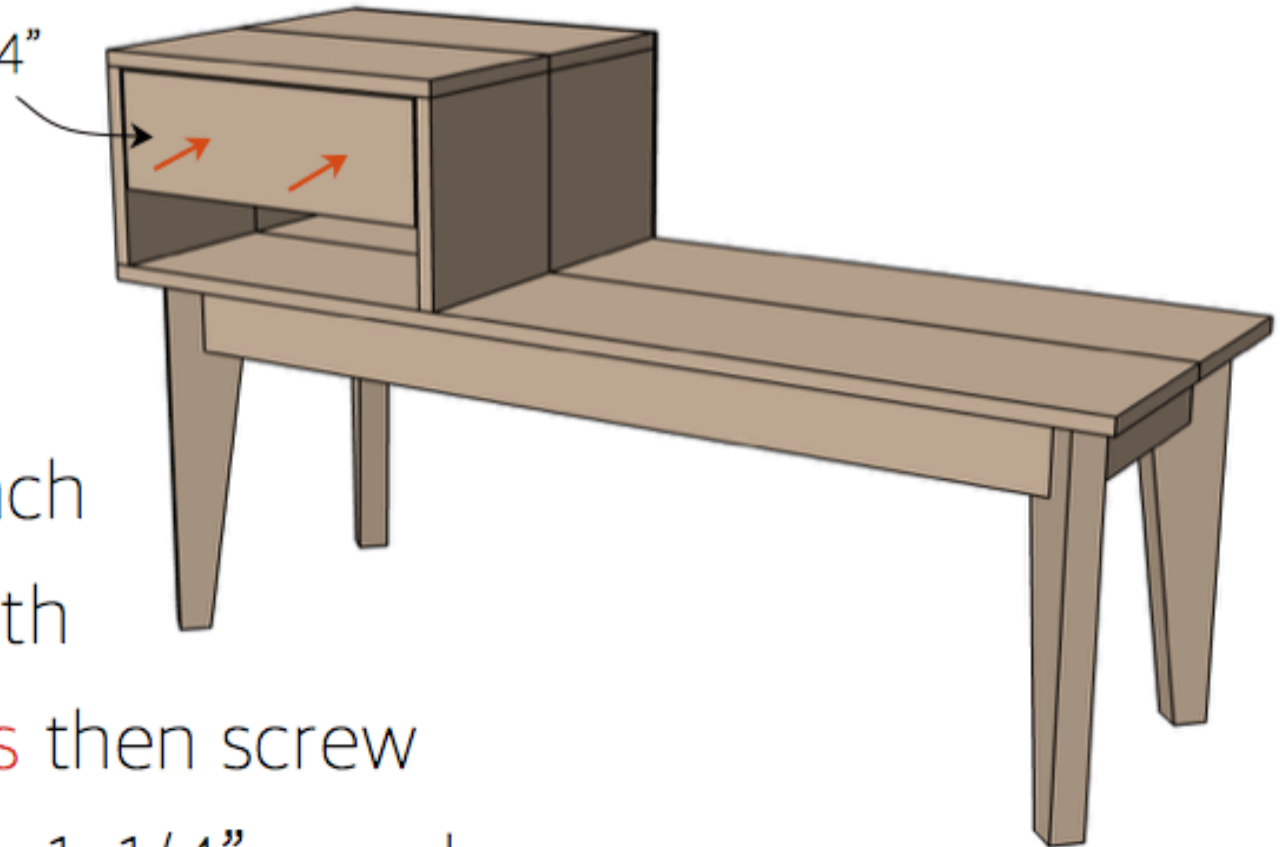
Set in 3/4" from front



Install drawer slides such that drawer bottom is 5-1/2" from top.

# Step 8: Install Drawer Front

1 x 6 x 16-1/4"



Locate and attach drawer front with 1-1/4" brad nails then screw from inside with 1-1/4" wood screws.

# Step 9: Attach Back

