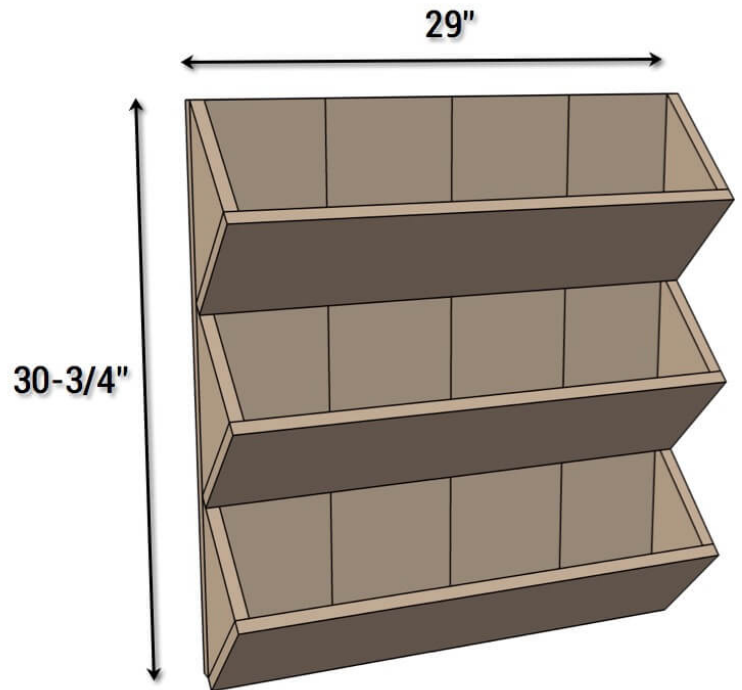
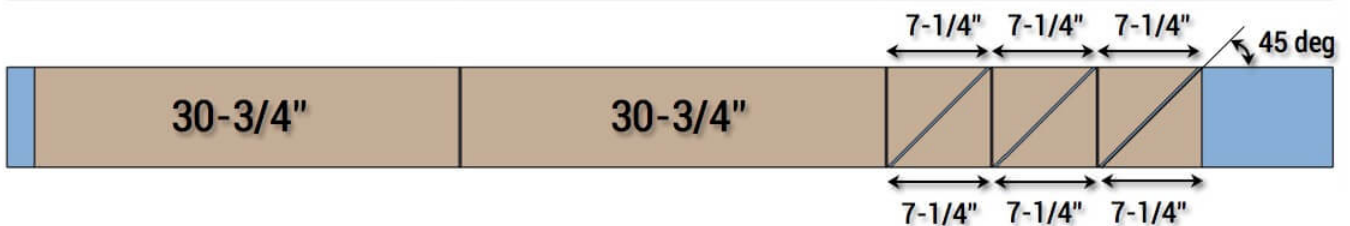


WALL PLANTER

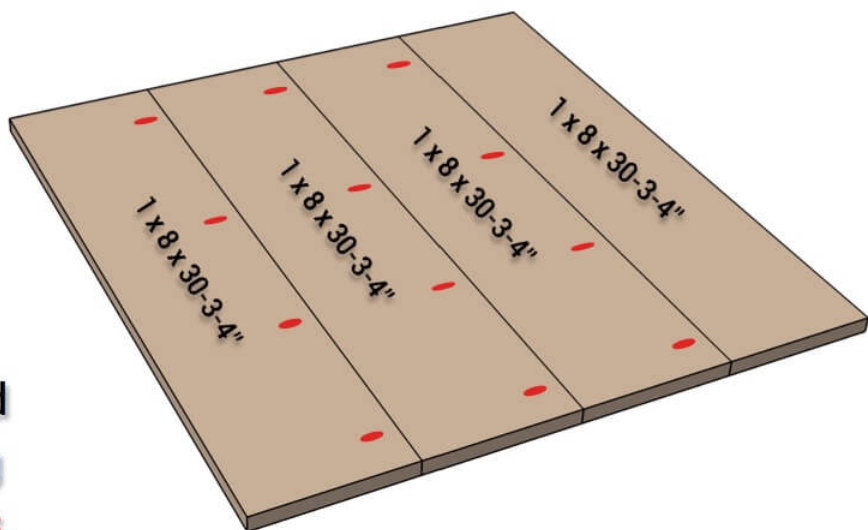
DIY PLANS BY:



Qty 3 1 x 8 x 8' Cedar Boards

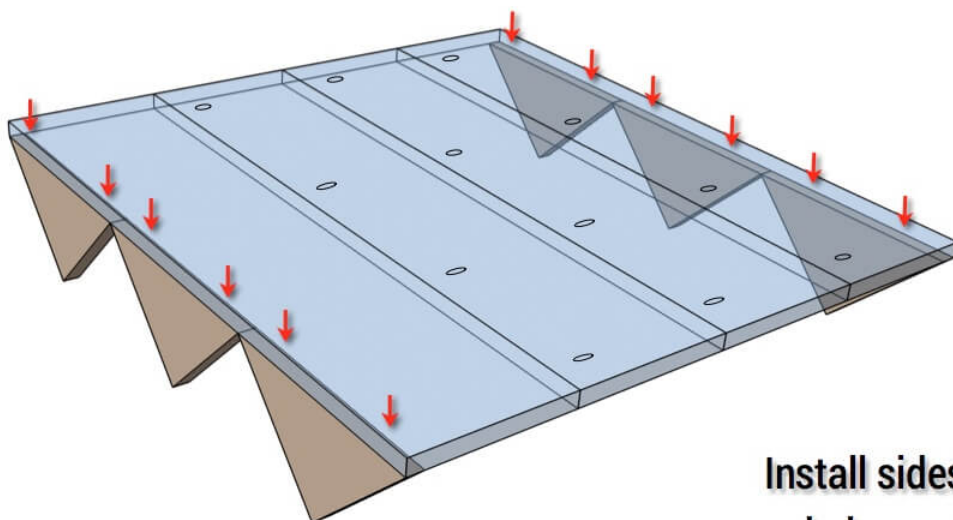


Step 1: Assemble Back



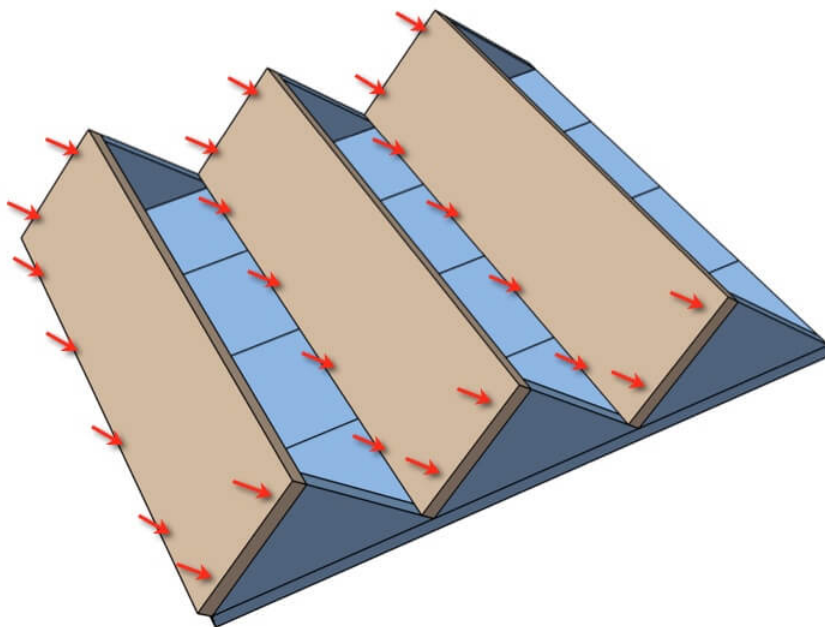
Drill pocket holes and assemble back using **1-1/4" pocket screws**.

Step 2: Install Sides



Install sides as shown using wood glue and **1-1/4" brad nails**.

Step 3: Install Fronts



Install fronts as shown
using wood glue and
1-1/4" brad nails.