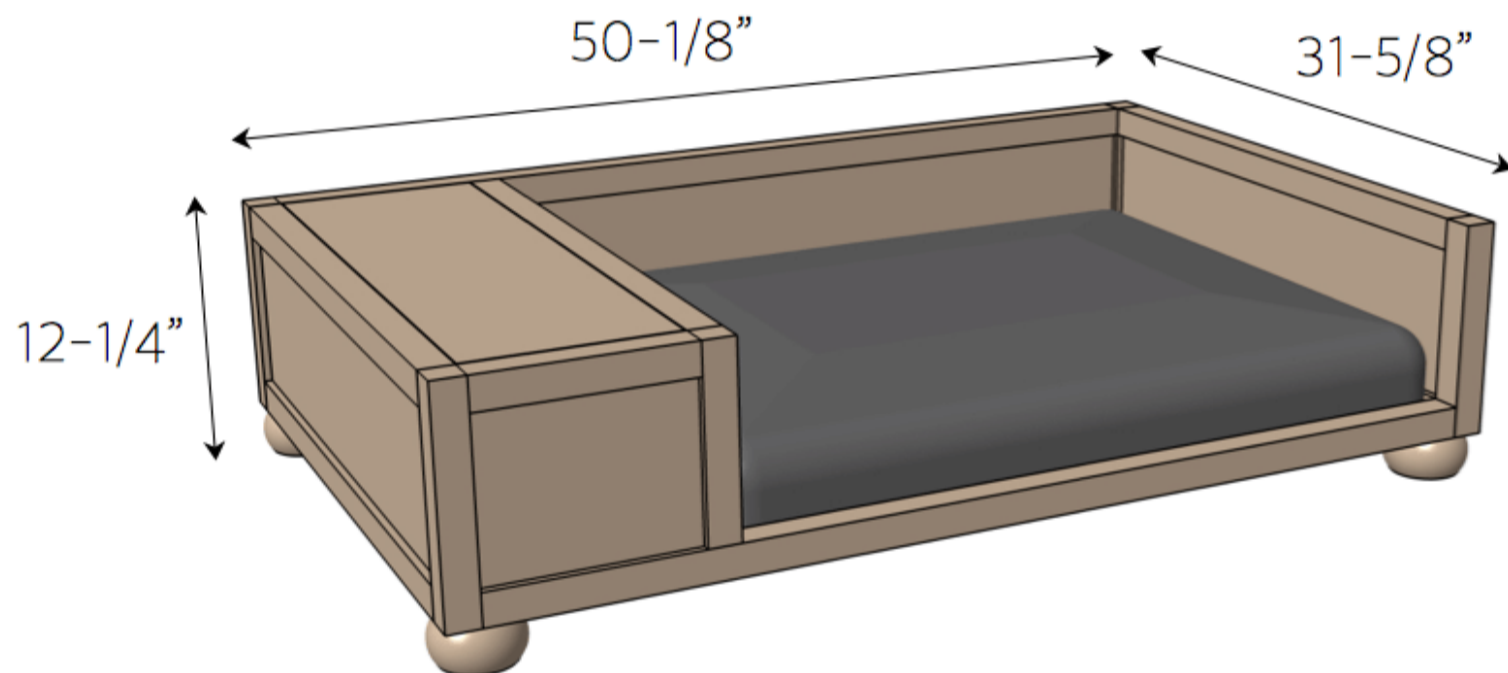


# Large Dog Bed

DIY Plans By:



## Required Tools:

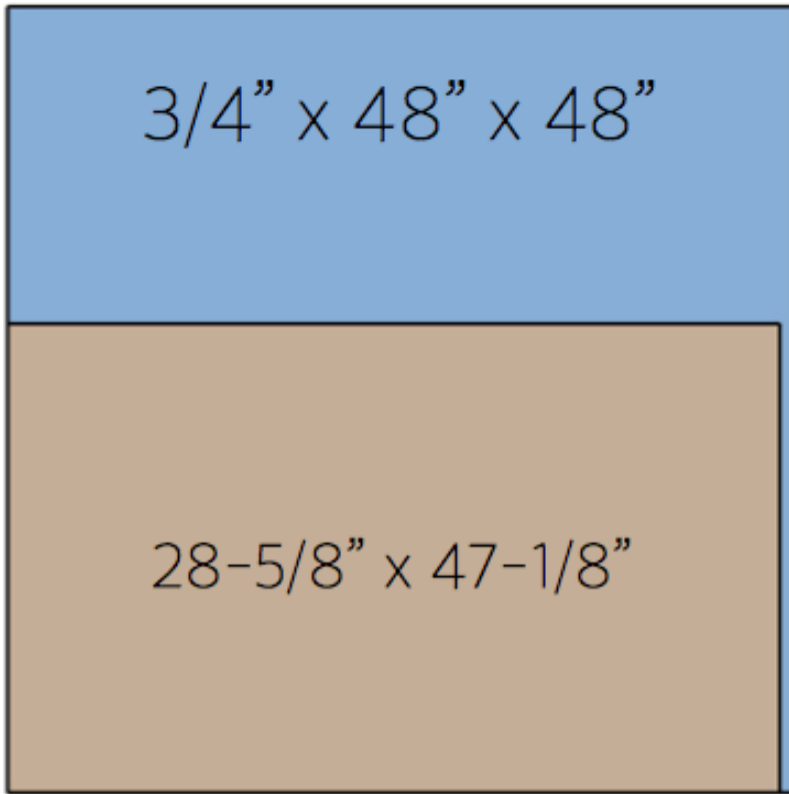
Drill/Driver  
Miter Saw  
Nailer  
Pocket Hole Jig  
Clamps

## Materials:

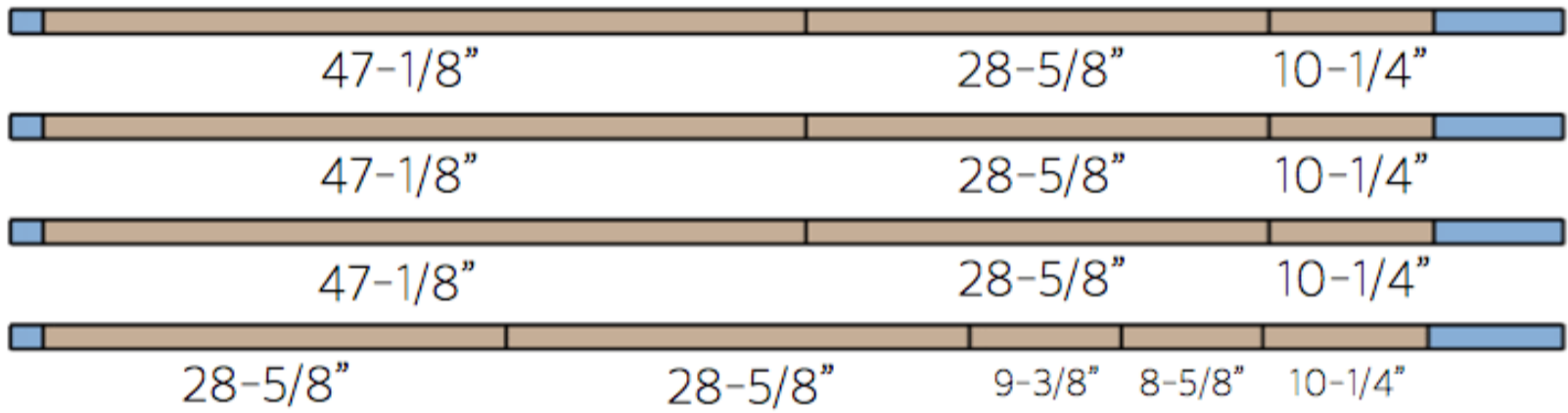
1x - 3/4" x 48" x 48" Plywood	
4x - 2 x 2 x 8'	
1x - 1 x 2 x 8'	1-1/4" Pocket Screws
1x - 1 x 10 x 4'	2-1/2" Pocket Screws
1x - 1 x 8 x 6'	1-1/4" Brad Nails
1x - 1 x 8 x 8'	Wood Glue
Handle	Hinges



**ROGUE**  
ENGINEER<sup>COM</sup>



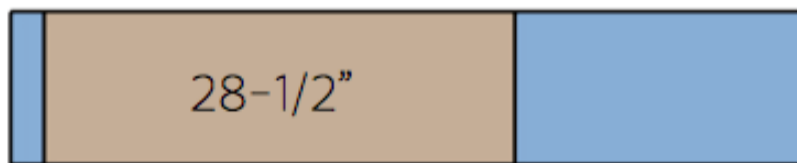
2 x 2 x 8' (Qty 4)



1 x 2 x 8'



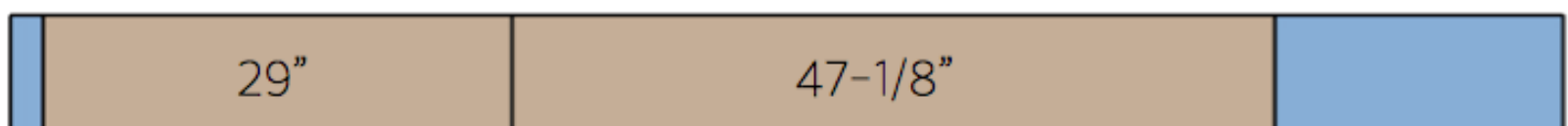
1 x 10 x 4'



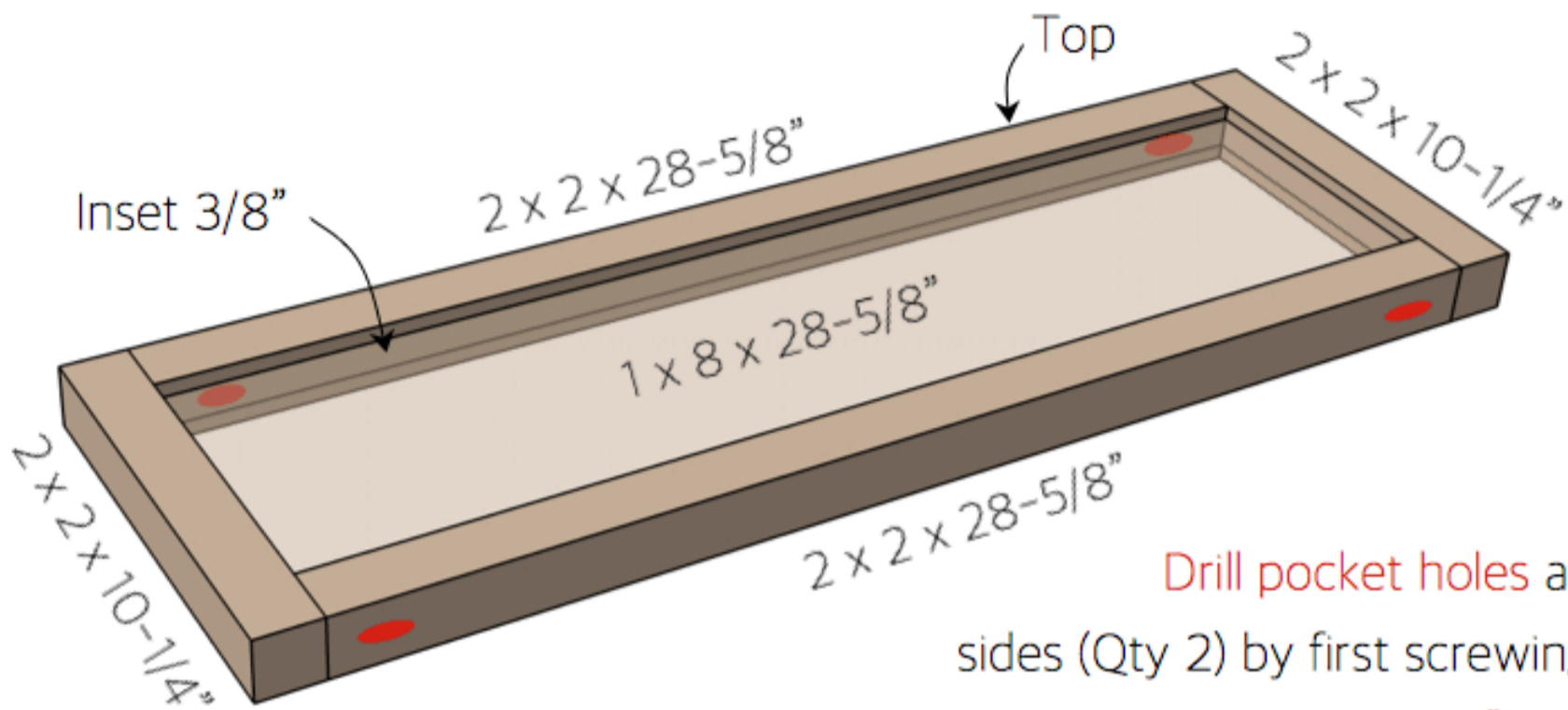
1 x 8 x 6'



1 x 8 x 8'



# Step 1: Assemble Sides (Qty 2)

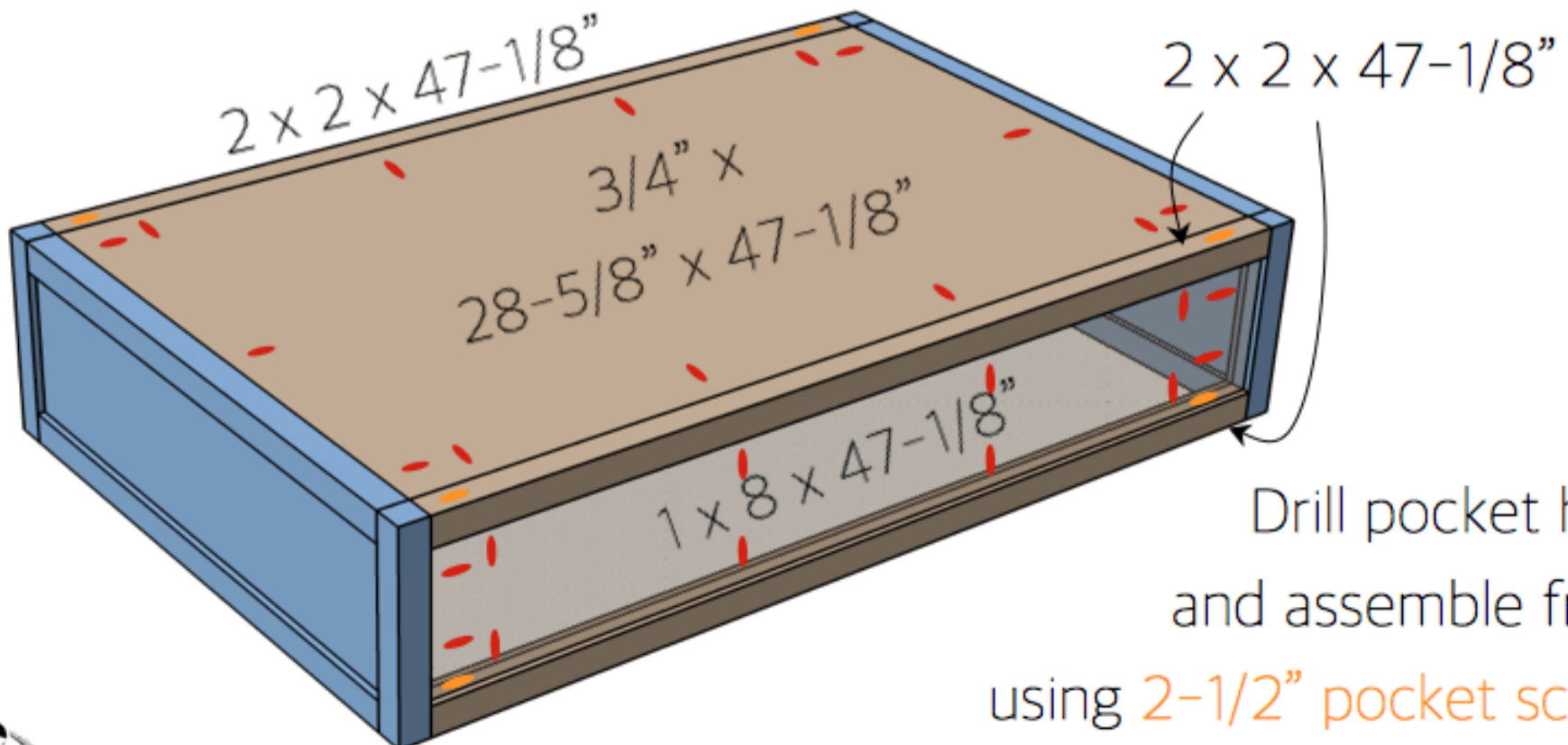


Drill pocket holes and assemble sides (Qty 2) by first screwing top 2x2 to front and back 2x2s using 2-1/2" pocket screws.



Then, glue 1x8 panel in place and finish assembly. Clamp sides until dry. (Optional to install 1x8 panel with 1-1/4" pocket hole screws and plugs to hide.)

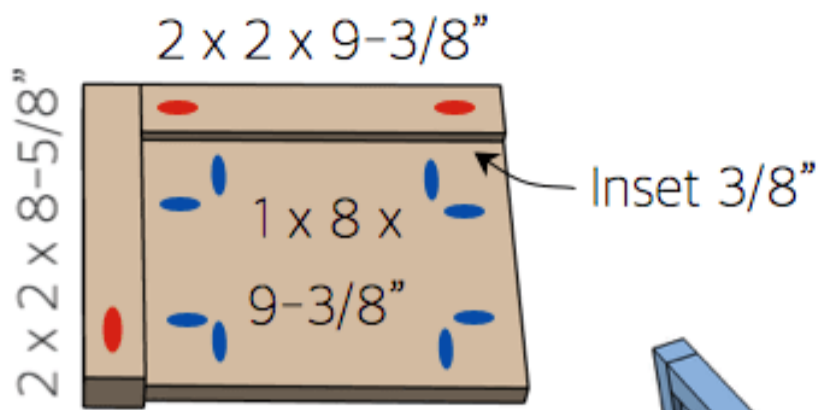
# Step 2: Assemble Frame



Drill pocket holes and assemble frame using 2-1/2" pocket screws and 1-1/4" pocket screws.

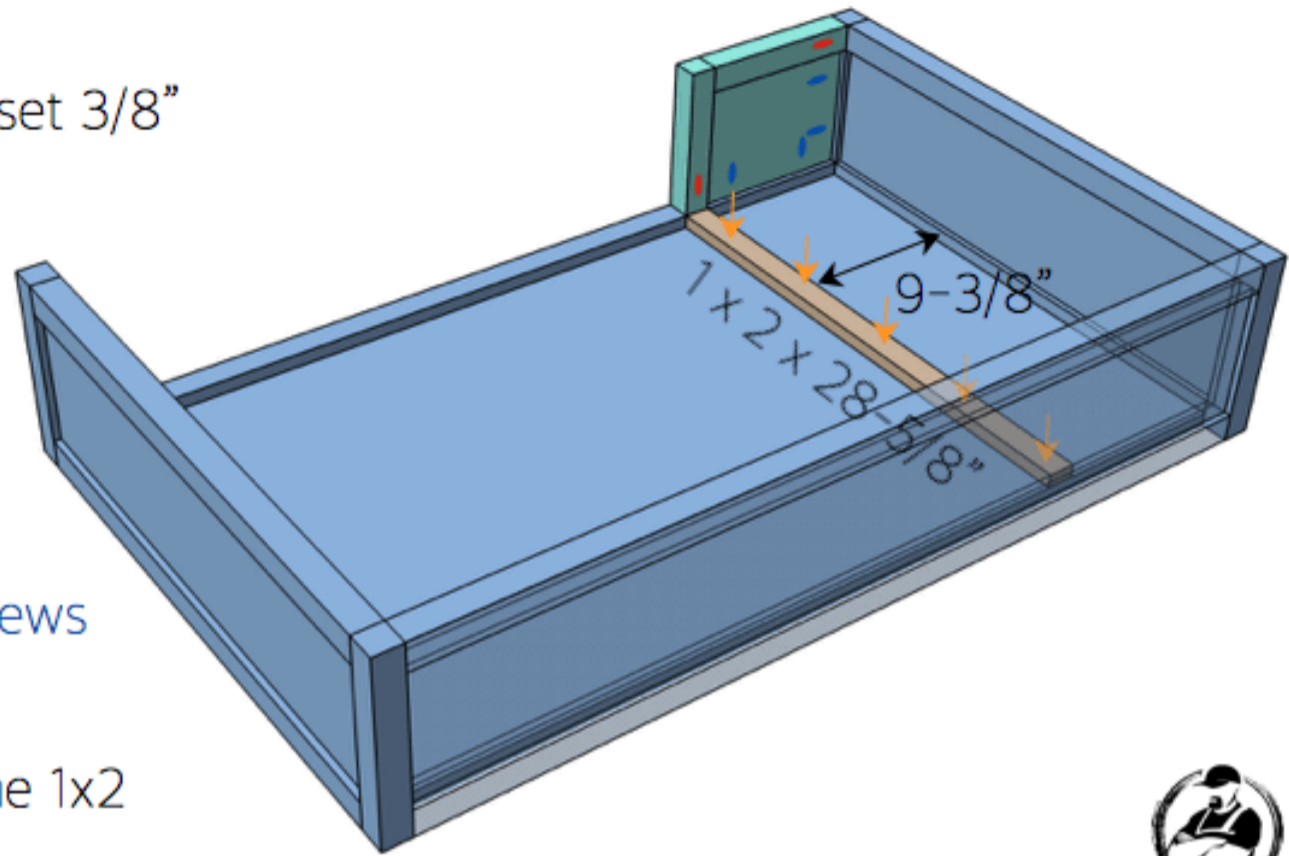


# Step 3: Install Front Panel

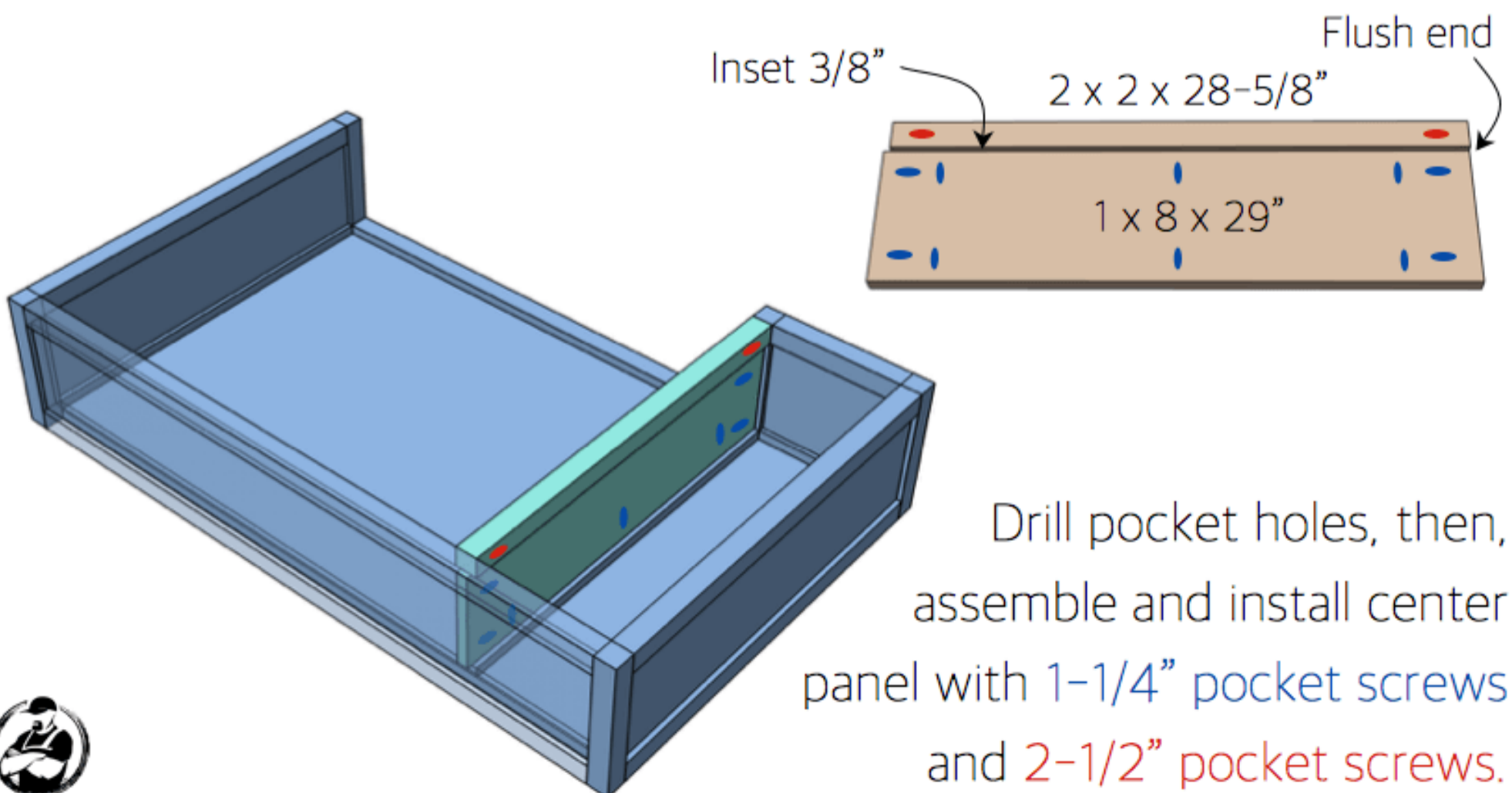


Drill pocket holes then assemble and install front panel using 1-1/4" pocket screws and 2-1/2" pocket screws.

Then glue and nail in place the 1x2 using 1-1/4" brad nails.



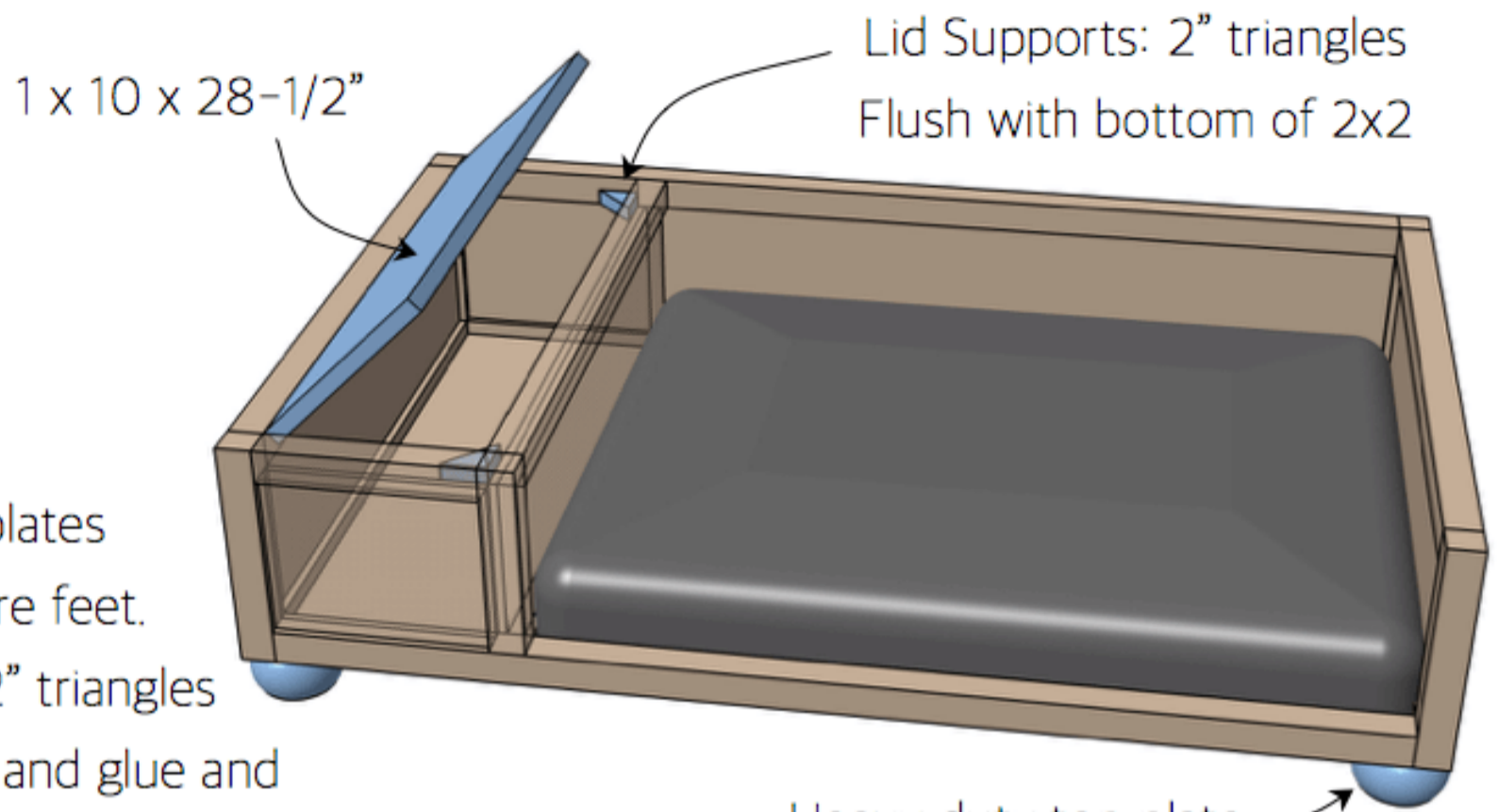
# Step 4: Install Center Panel



Drill pocket holes, then, assemble and install center panel with 1-1/4" pocket screws and 2-1/2" pocket screws.



# Step 5: Install Feet and Lid



1 x 10 x 28-1/2"

Lid Supports: 2" triangles  
Flush with bottom of 2x2

Install top plates  
and furniture feet.

Then, cut 2" triangles  
from scrap and glue and  
nail using 1-1/4" brad nails.

Install lid, hinges and handle as desired.

Heavy duty top plate  
+ Furniture feet

