

MATERIALS:

- 2 – 2x2x8'
- 1 – Half Sheet of 3/4" Plywood
- 1 – 1x12x8'
- 1 – 1x4x8'
- 3 – 1x3x8'
- 2 – 1x2x8'
- 2 – Euro-Style Hinges
- 1 1/4" Wood Screws
- 2 1/2" & 1 1/4" Pocket Hole Screws
- 1 1/4" Brad Nails
- Wood Glue

CUT LIST:

- 2 – 2x2 @ 37 1/2" (back legs)
- 2 – 2x2 @ 24" (front legs)
- 2 – 1x12 @ 13 (sides)
- 1 – 3/4" plywood @ 45" x 29 1/4" (back)
- 1 – 1x2 @ 45" (storage support)
- 2 – 1x2 @ 13" (storage support)
- 1 – 3/4" plywood @ 45" x 13" (bottom)
- 1 – 1x12 @ 45" (front)
- 2 – 1x2 @ 13" (trim)
- 1 – 1x2 @ 45" (trim)
- 4 – 1x3 @ 45" (trim)
- 5 – 1x3 @ 13" (trim)
- 3 – 1x3 @ 6 1/4" (trim)
- 2 – 1x4 @ 16 1/2" (arm rests)
- 1 – 1x4 @ 45" (back seat)

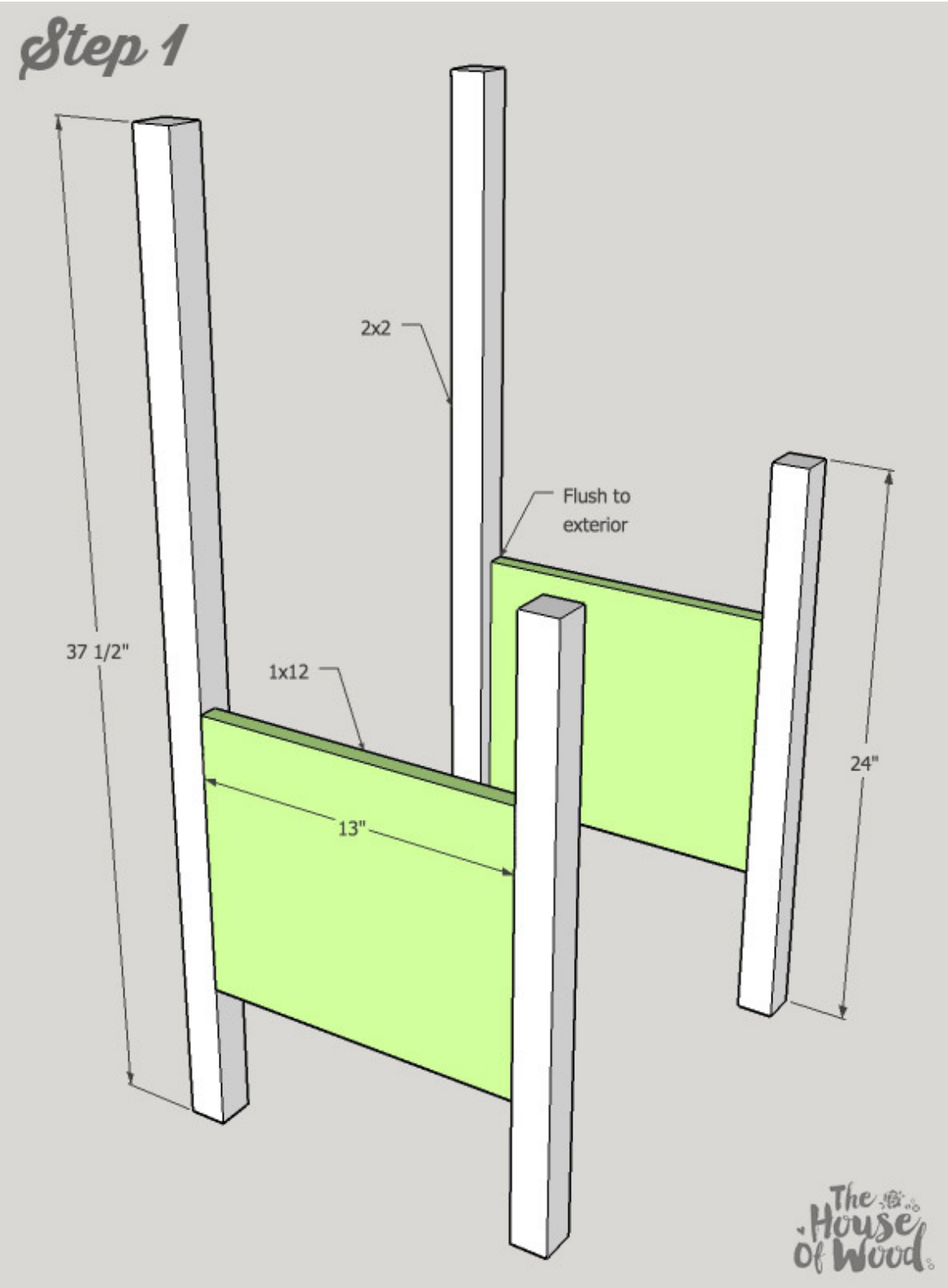
TOOLS

- Tape Measure
- Pencil
- Speed Square
- Drill w/ Countersink Bit
- Circular Saw
- Jig Saw
- Kreg Jig
- Brad Nailer
- Safety Glasses
- Hearing Protection

- 2 – 2x2 @ 13" (arms)

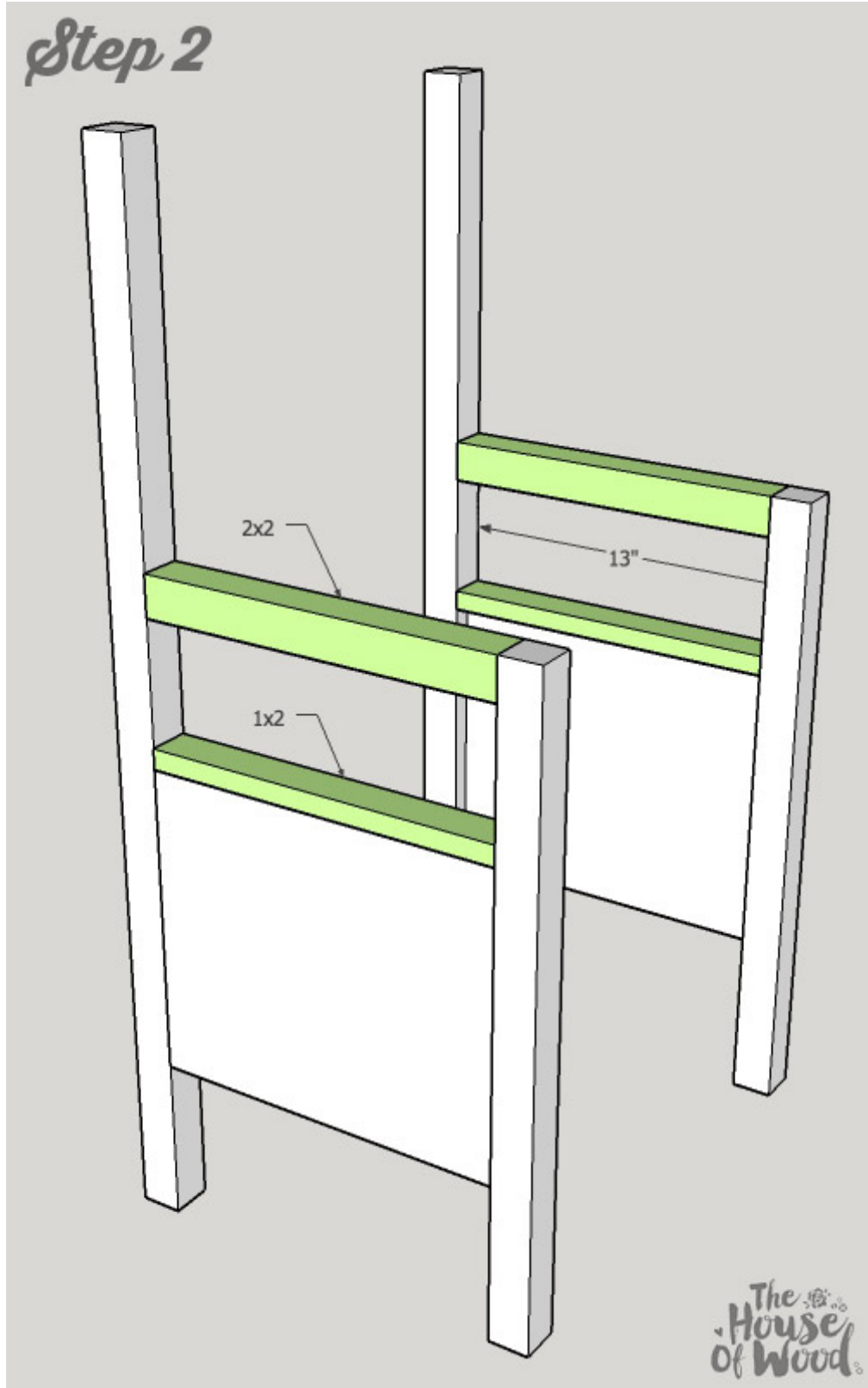
STEP 1

Build the sides. Drill $\frac{3}{4}$ " pocket holes into the 1x12 sides and attach it to the 2x2 legs with $1\frac{1}{4}$ " pocket hole screws and wood glue. Attach the sides so that they are flush to the exterior edge of the legs.



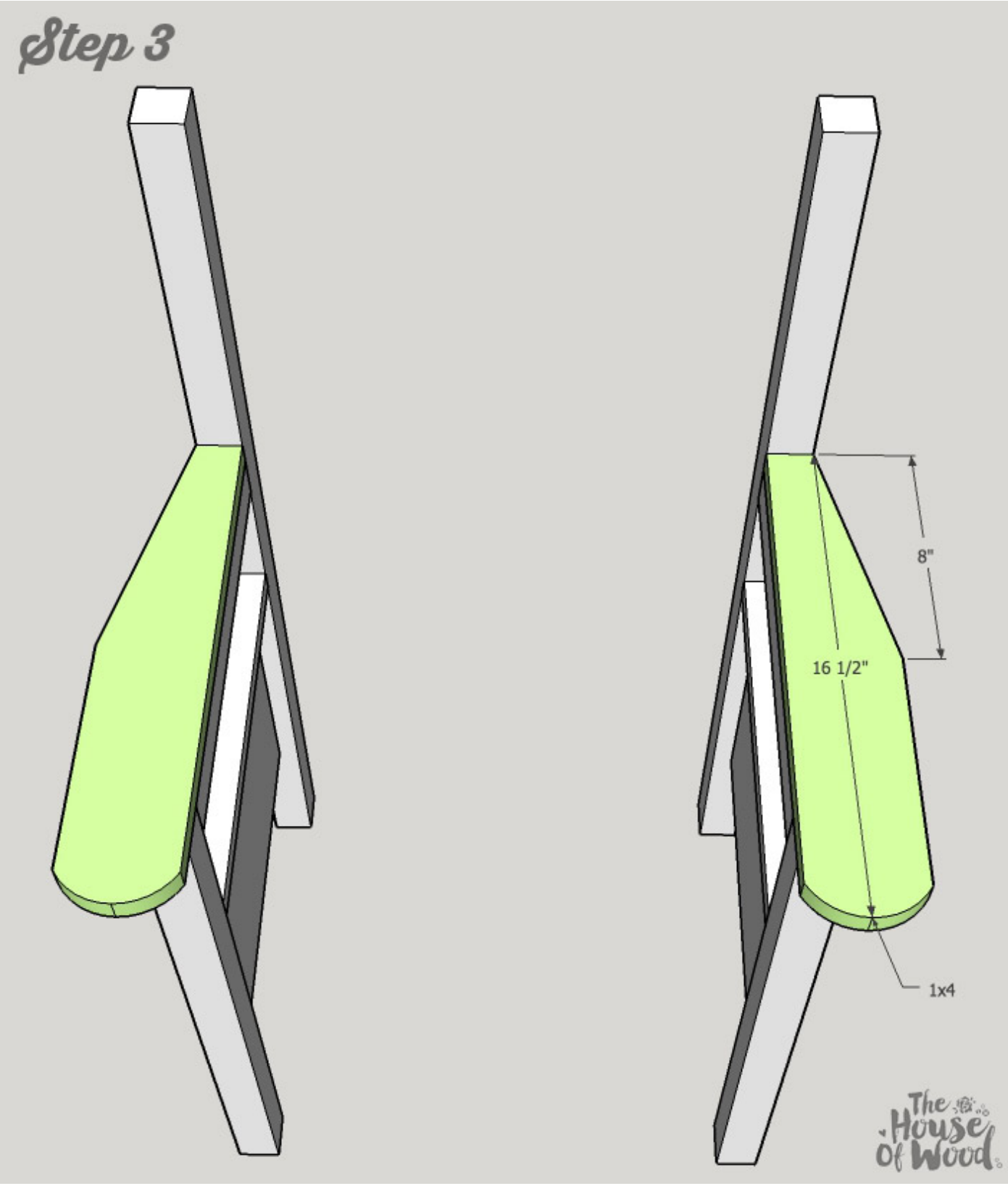
STEP 2

Attach the arms. Drill 1-1/2" pocket holes into the 2x2s and attach with 2-1/2" pocket hole screws and wood glue. Attach the 1x2 trim pieces with 1-1/4" pocket hole screws and wood glue.



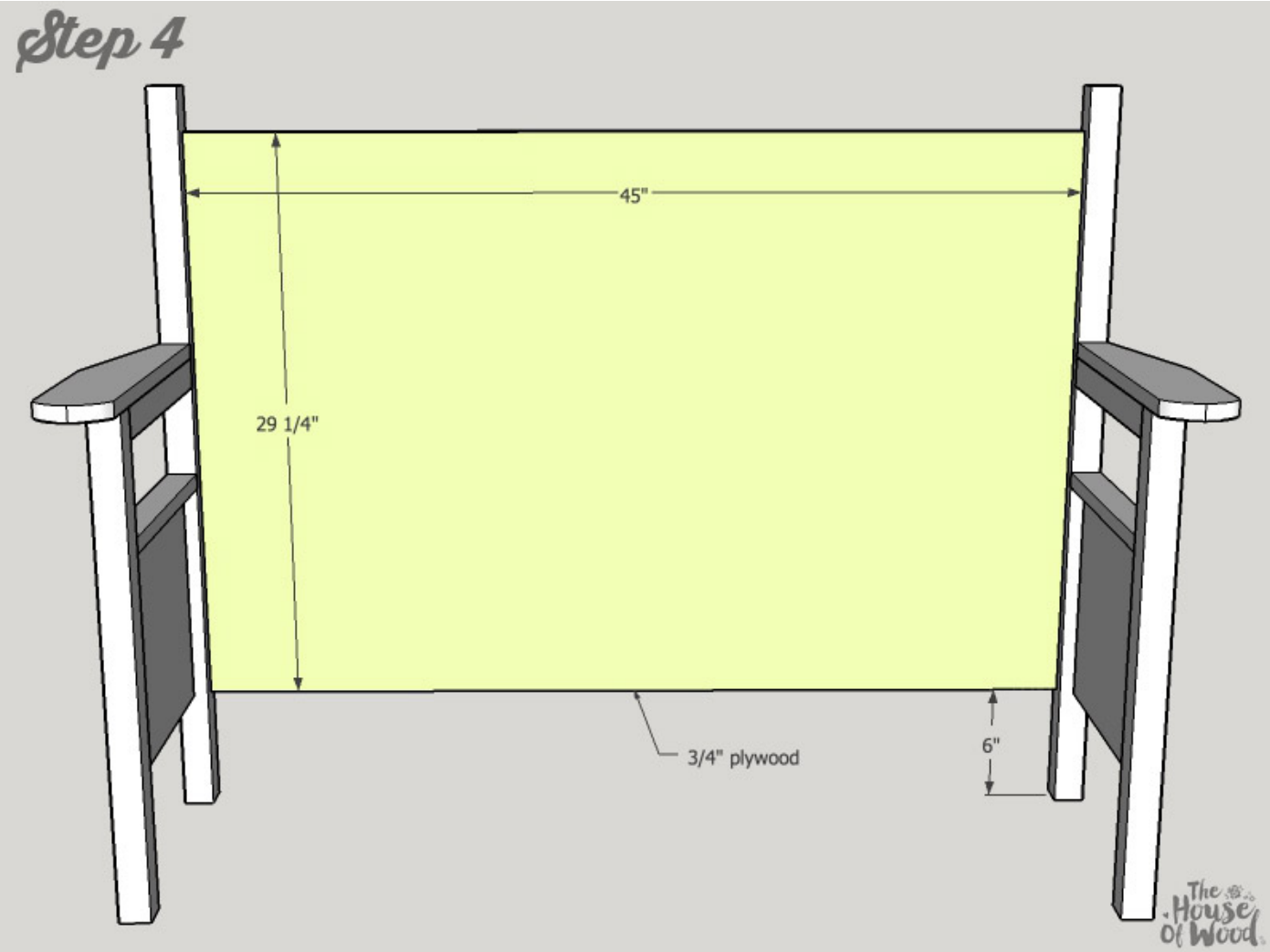
STEP 3

Attach the arm rests. Using a jig saw, cut out the arm rests as shown. Attach to arms with 1-1/4" brad nails and wood glue.



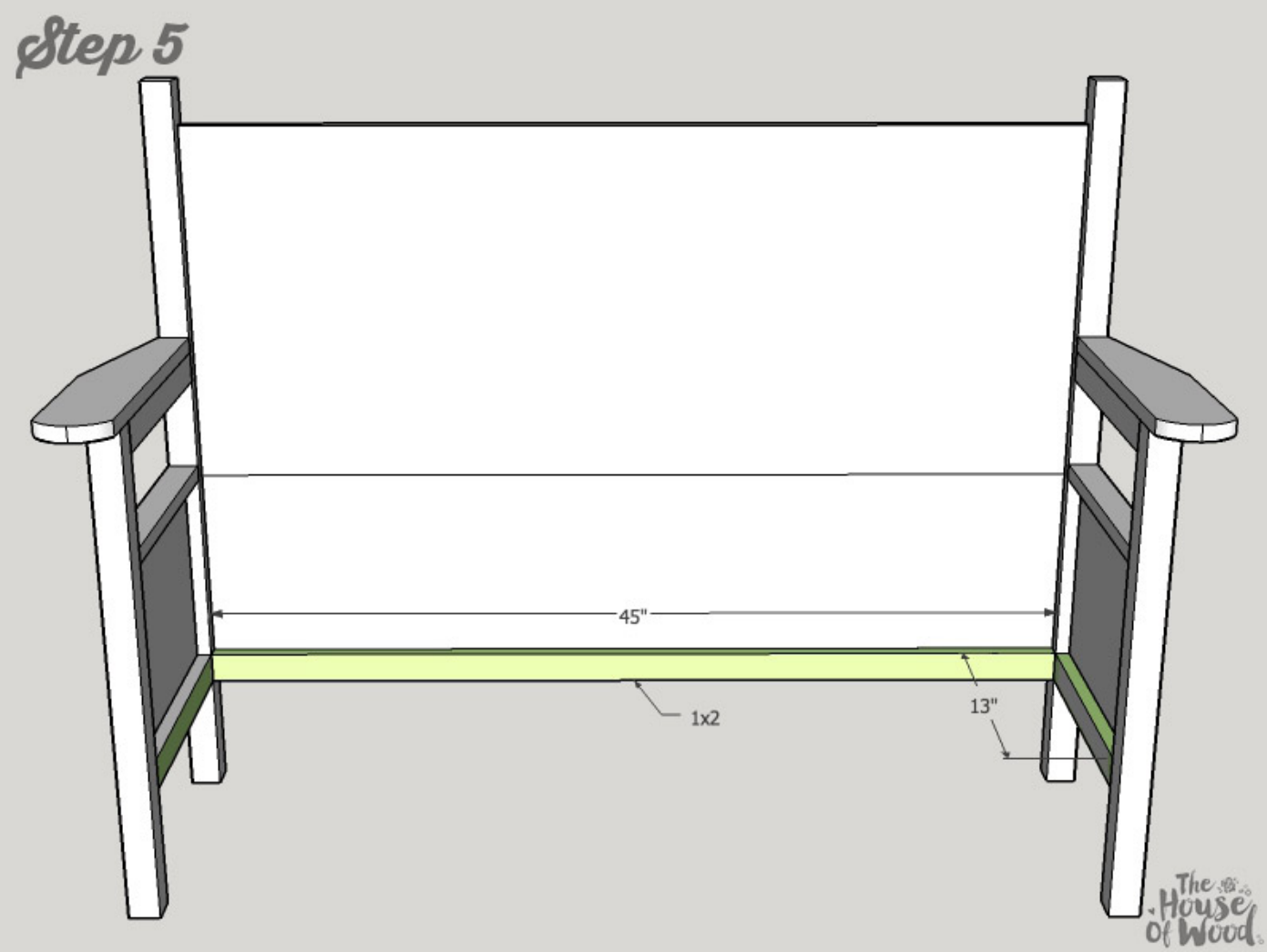
STEP 4

Construct the carcass. Drill 3/4" pocket holes into the top and sides of 3/4" plywood and attach to legs with 1-1/4" pocket hole screws and wood glue.



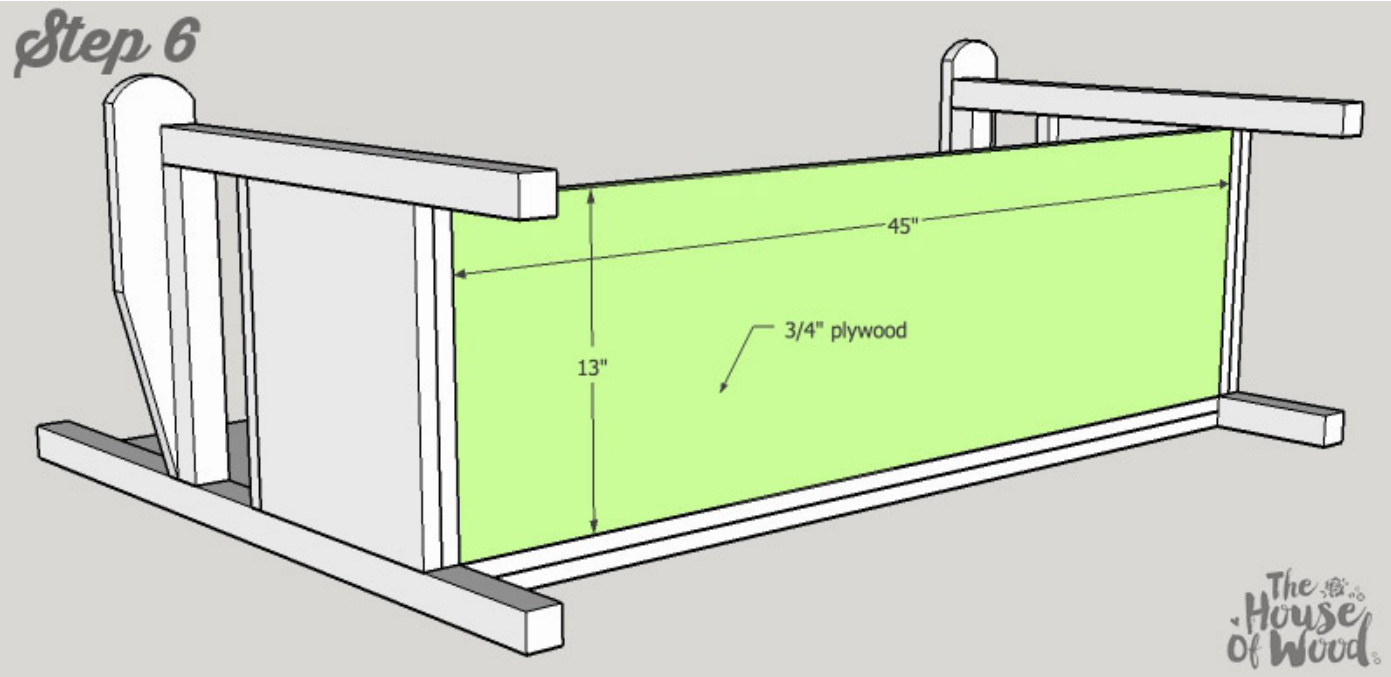
STEP 5

Attach the 1x2 supports with 1-1/4" brad nails and wood glue.



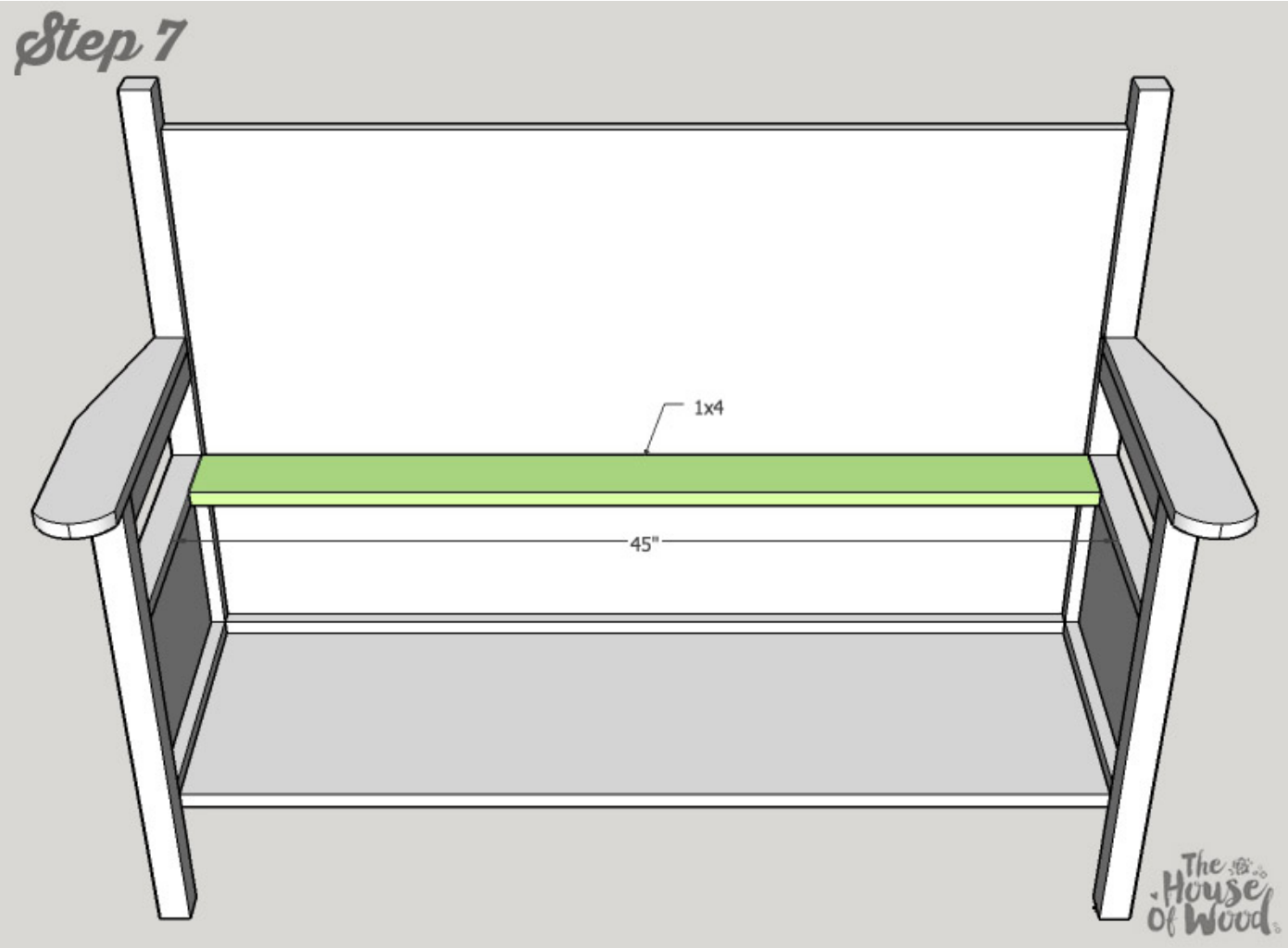
STEP 6

Attach the bottom. Drill 3/4" pocket holes into 3/4" plywood and attach to carcass with 1-1/4" pocket hole screws and wood glue.



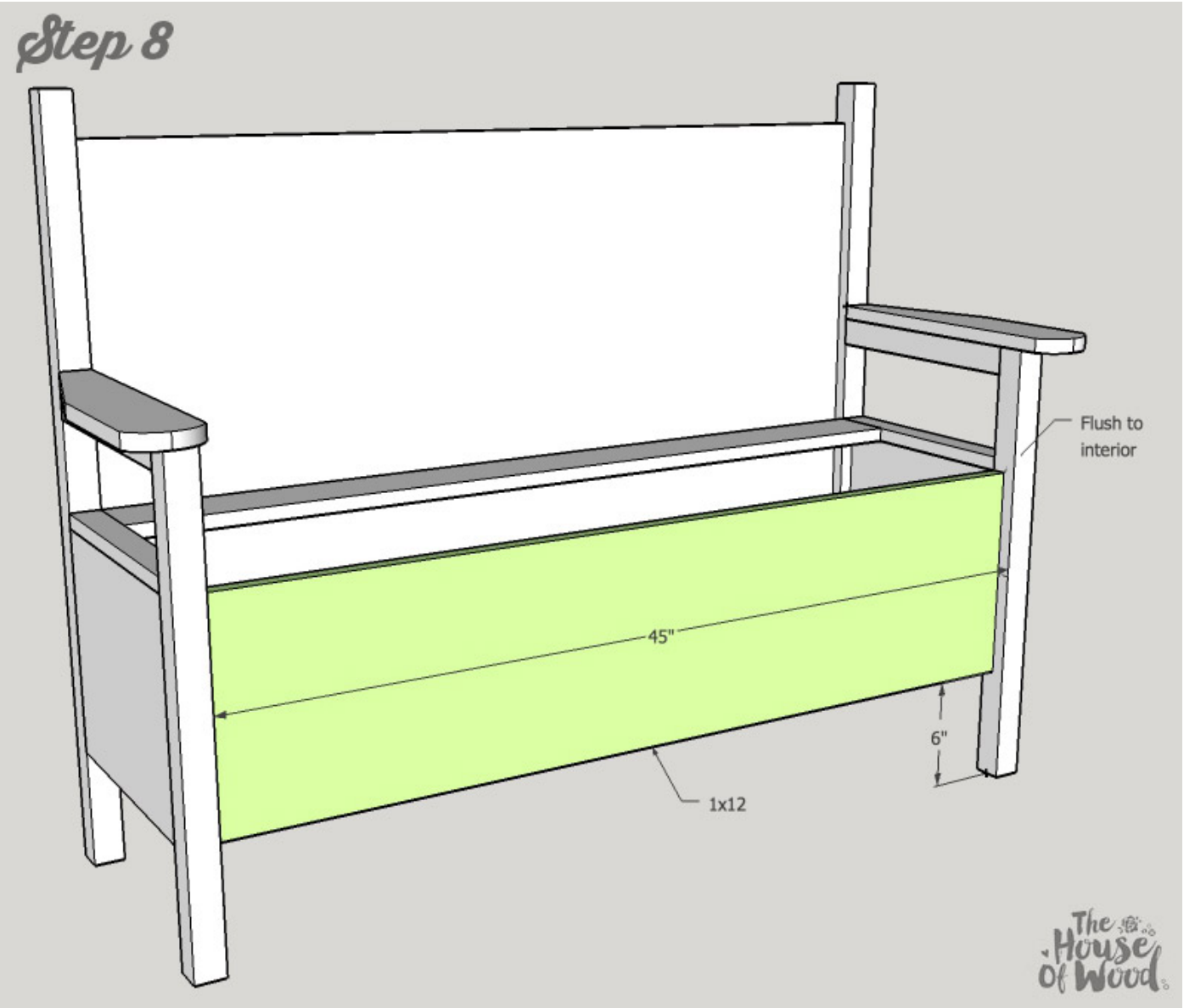
STEP 7

Drill 3/4" pocket hole screws into 1x4 and attach to carcass with 1-1/4" pocket hole screws and wood glue.



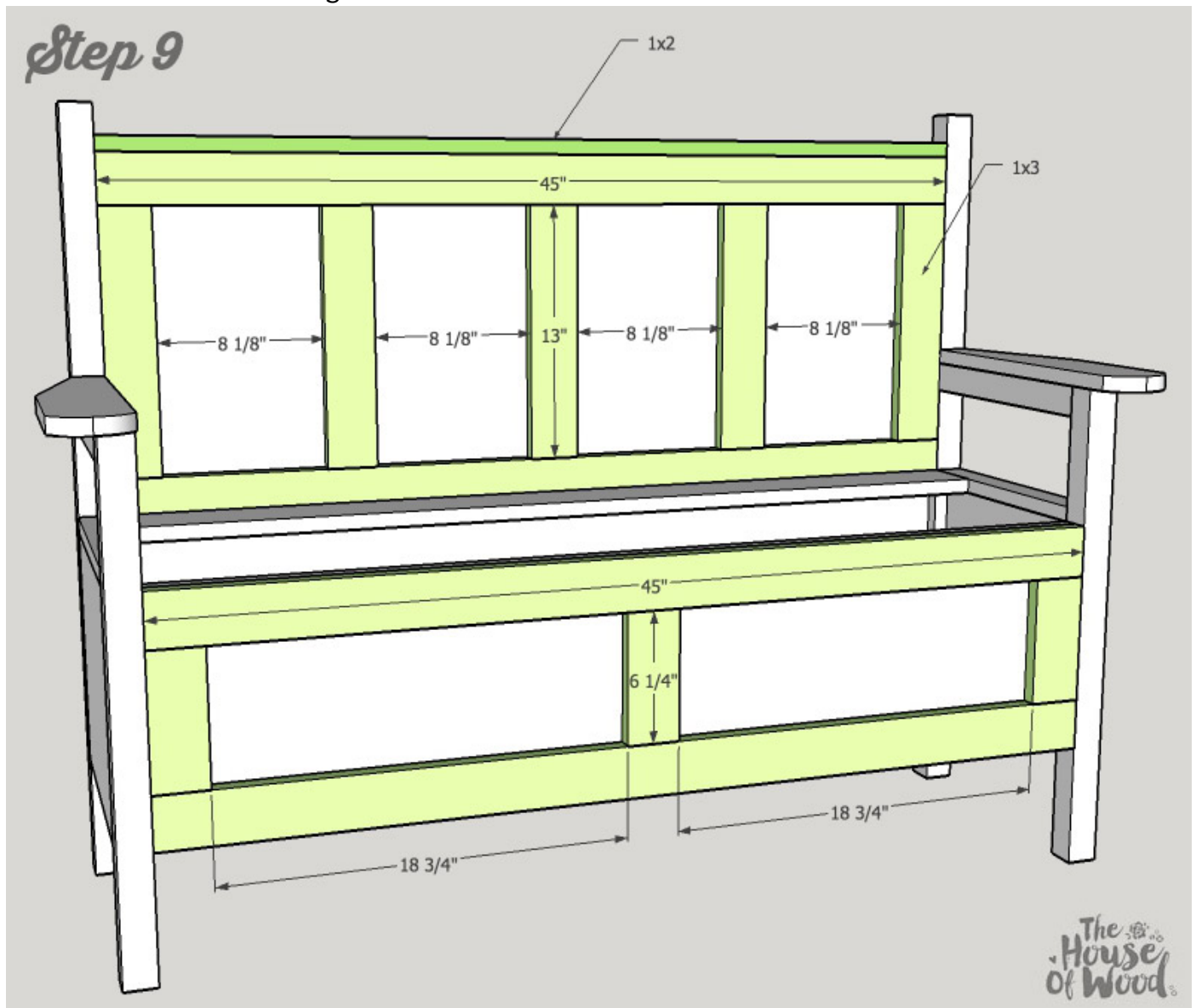
STEP 8

Drill 3/4" pocket holes into 1x12 and attach to carcass with 1-1/4" pocket hole screws and wood glue. Drill the pocket holes on the outside of the 1x12 because the 1x3 trim will hide them in the next step.



STEP 9

Attach the 1x3 trim with 1-1/4" brad nails and wood glue. Attach the 1x2 trim on the top with 1-1/4" brad nails and wood glue.



STEP 10

Attach piano hinge to the 1x12 lid, then attach the hinged lid to the bench.

